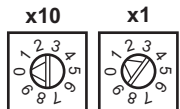




Connection to Modbus System

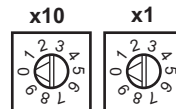
ADDRESSING



Sets a unique Modbus slave address for each SIO-100S connected to the Modbus Master modem
 Example shows address '01'
 Consult user manual for Modbus addresses

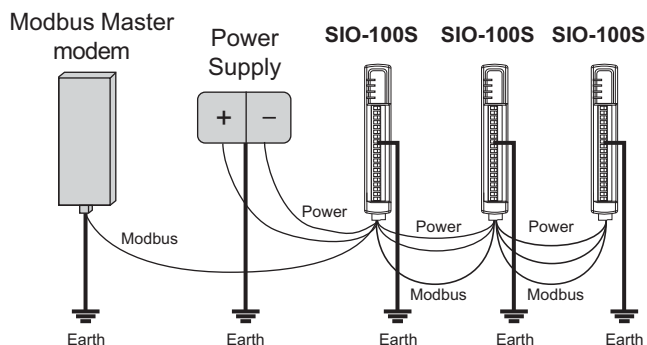
Exception Reporting Mode

ADDRESSING



Address switches must be '00' for exception reporting
 Example shows address '00'
 Setup using MTL I/O configuration utility

POWER

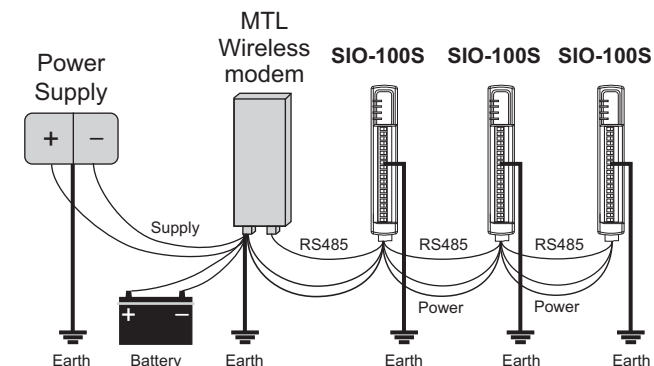


Power Connections
 '+': Pos Supply (10.8 to 30V DC**)
 '-': Neg Supply
 SIO-110DX: 300mA max.
 SIO-120AI: 900mA max.
 SIO-130AO: 900mA max.

** Check rear label for operating voltages

Ensure all earth connections are at the same potential
 Earth wiring minimum 2mm² - 14AWG

POWER



Power Connections
 '+': Pos Supply (10.8 to 30V DC**)
 '-': Neg Supply
 SIO-110DX: 300mA max.
 SIO-120AI: 900mA max.
 SIO-130AO: 900mA max.

** Check rear label for operating voltages

Ensure all earth connections are at the same potential
 Earth wiring minimum 2mm² - 14AWG

RS485

Up = terminated
 Down = unterminated

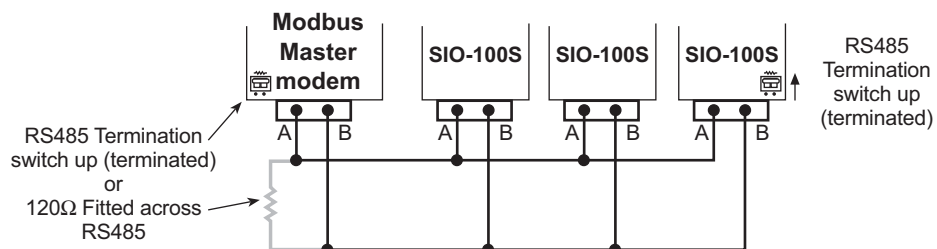


RS485 termination switch



Power and Modus connector

A, B: Connect RS485 (Modbus)



RS485

Up = terminated
 Down = unterminated

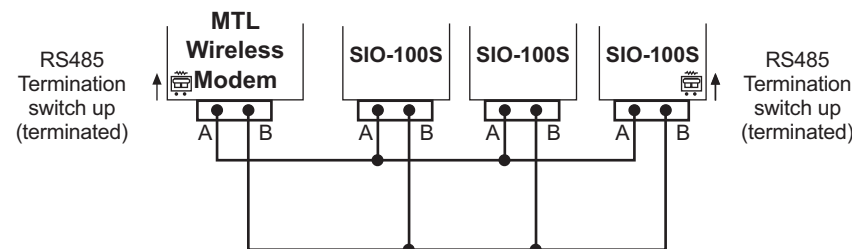


RS485 termination switch



Power and Modus connector

A, B: Connect RS485



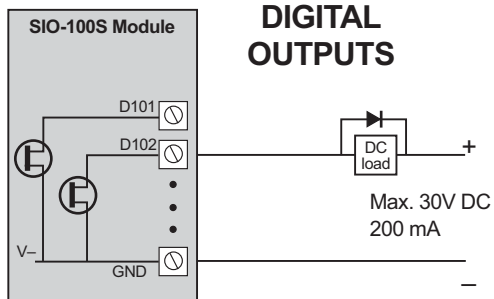
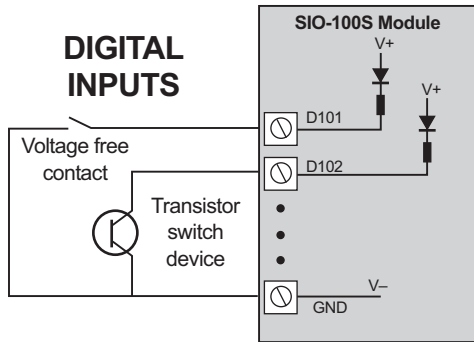


SIO-100S Quick Setup Guide - Wiring

© Measurement Technology Limited 2010

THIS EQUIPMENT IS SUITABLE FOR USE ONLY IN CLASS I, DIVISION 2, GROUPS A - D OR NON-HAZARDOUS LOCATIONS

SIO-110DX



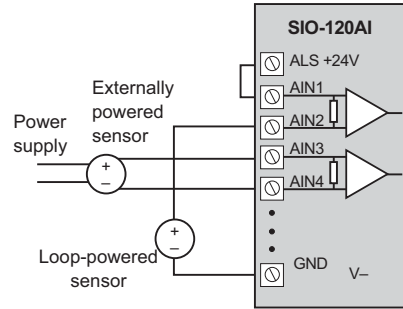
SIO-120AI

WARNING !

Ensure correct DIP switch positions AND software configuration has been completed for each analogue input BEFORE connecting external signals to the SIO-120AI module

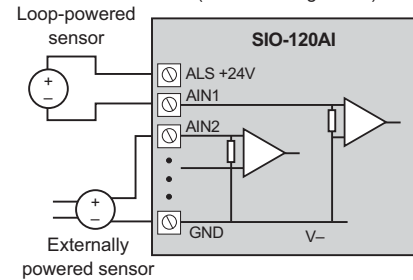
DIFFERENTIAL CURRENT INPUTS

(Select using DIP switches AND config software)



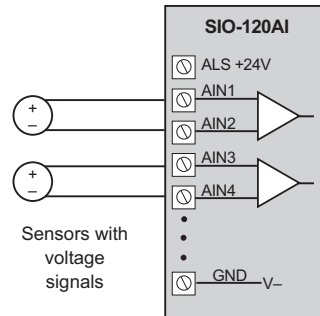
SINGLE ENDED CURRENT INPUTS

(Default configuration)



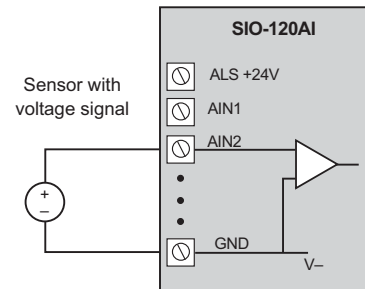
DIFFERENTIAL VOLTAGE INPUTS

(Select using DIP switches AND config software)



SINGLE ENDED VOLTAGE INPUTS

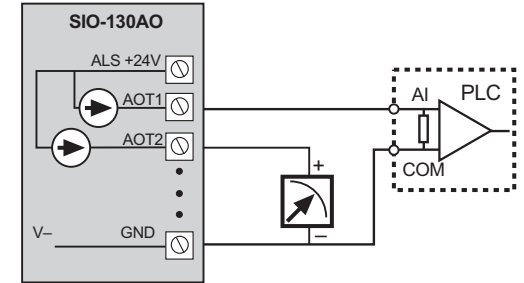
(Select using DIP switches AND config software)



SIO-130AO

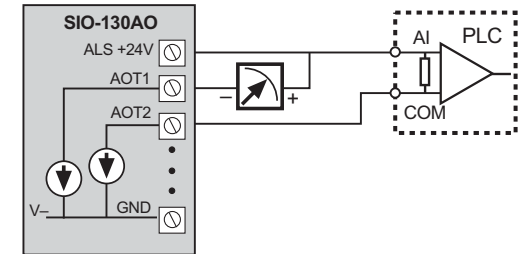
CURRENT SOURCE OUTPUT

(Default configuration)



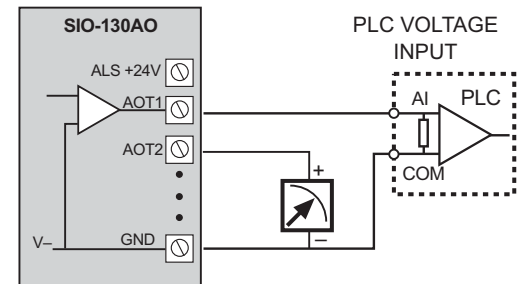
CURRENT SINK OUTPUT

(Select using config software)



VOLTAGE OUTPUT

(Select using config software)



WARNING! - EXPLOSION HAZARD - DO NOT CONNECT OR DISCONNECT WHILE CIRCUIT IS LIVE UNLESS AREA IS KNOWN TO BE NON-HAZARDOUS