

MTL AirGuard FGT range

RF surge protection for the fixed wireless market with applications for LMDS, WLL, and MMDS.

- **Weatherproof**
- **Rugged construction**
- **Economic protection**
- **Versatile up to DC - 2.5GHz**
- **Allows DC/LF injection**
- **Multiple strike capability**



The FGT range of surge protection devices prevents surges and transient overvoltages conducted through coax cables used for wireless Local Multipoint Distribution System (LMDS), Wireless Local Loop (WLL), and Multichannel Multipoint Distribution Service (MMDS). These versatile products can be used in any "F" connector application from DC- 2.5GHz frequencies to 75 ohm impedance.

Typical applications for the FGT range include the protection of radio telemetry systems, mobile communications base stations and where high induced voltages may be present.

Receivers and transmitters are particularly vulnerable to damage from the effects of lightning. Their remote locations (height above ground and physical construction make them vulnerable to lightning activity. The use of semiconductors and integrated circuits in transmitters and receivers has rendered them particularly prone to damage from these disturbances.

Excellent performance levels are achieved using high energy gas discharge tubes to offer high surge current capability in a rugged, economic, compact enclosure to produce superior surge suppression.

The use of gas tube technology in surge protection applications is a mature and well proven technology. When used in RF coax applications, this technology provides broadband, low cost solutions while still maintaining high surge current capacity.

Complete site protection can be achieved by using our wide range of AC and DC power surge protection devices to prevent surges entering equipment via their power supply. The MTL ZoneMaster range of protectors combine a high level of protection and when used in conjunction with the MTL ZoneBarrier data protection modules, provide the highest level of site protection available.

RF Fixed wireless surge protection

October 2016

SPECIFICATION

All figures typical at 77°F (25°C) unless otherwise stated

Maximum discharge current

20kA (8/20µs)
5kA (10/350µs)

Maximum power rating (VSWR)

1.5:1 @ 1.5GHz

Frequency Range

DC to 2.5GHz

Peak Pulse Current (8/20ms)

15kA- 20kA

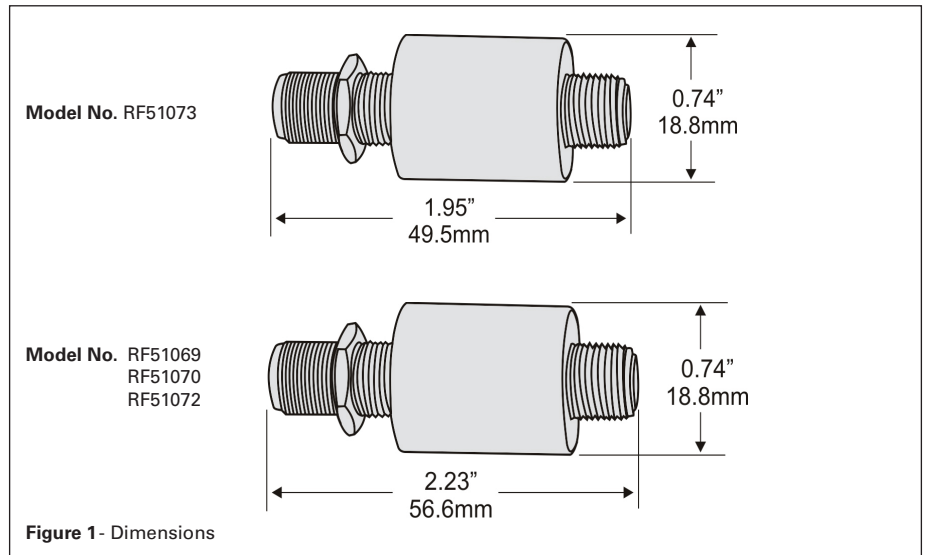
Impedance

75Ω

Specification table

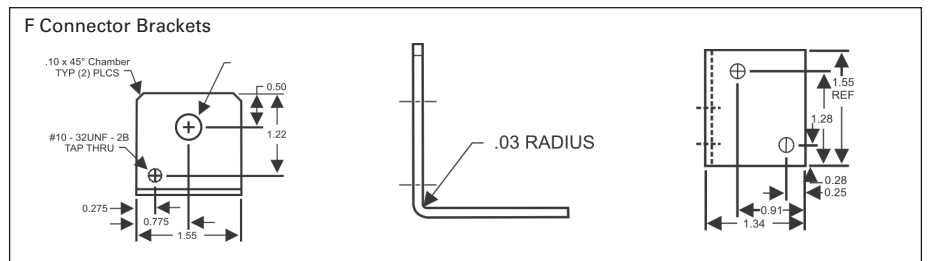
Model	Connectors	Frequency range (GHz)	VSWR	Insertion loss (dB)	Peak pulse current (8µs x 20µs)	Impedance (Ω)
RF51069	F(f) Bulkhead to F(f) (for LMDS/RG 6 Cable)	DC- 2.5	1.5:1 @1.5GHz	.4	20kA	75
RF51070	F(f) Bulkhead to F(f) (for LMDS/RG 59 Cable)	DC- 2.5	1.5:1 @1.5GHz	.4	20kA	75

Model	Connectors	Frequency range (GHz)	Return loss (dB)	Insertion loss (dB)	Peak pulse current (8µs x 20µs)	Impedance (Ω)
RF51072	F(f) Bulkhead to F(f)	DC- 2.5	-18	.03	20kA	75
RF51073	F(f) Bulkhead to F(f)	DC- 1.0	-20	.1	15kA	75



Brackets

Model	Connectors	Diameter
RF51076	F	0.385" (0.98cm)



Eaton Electric Limited,
Great Marlings, Butterfield, Luton
Beds, LU2 8DL, UK.
Tel: + 44 (0)1582 723633 Fax: + 44 (0)1582 422283
E-mail: mtlenquiry@eaton.com
www.mtl-inst.com

© 2016 Eaton
All Rights Reserved
Publication No. EPS 901-126 Rev F 251016
October 2016

EUROPE (EMEA):
+44 (0)1582 723633
mtlenquiry@eaton.com

THE AMERICAS:
+1 800 835 7075
mtl-us-info@eaton.com

ASIA-PACIFIC:
+65 6645 9864 / 6645 9865
sales.mtlsing@eaton.com

The given data is only intended as a product description and should not be regarded as a legal warranty of properties or guarantee. In the interest of further technical developments, we reserve the right to make design changes.