

## MTL AirGuard NQWS range

### RF surge protection for coaxial applications

- **Multi application**
- **Low passive intermodulation (PIM)**
- **Weatherproof**
- **Up to 100kA of surge current capacity**
- **No discrete components to fail**
- **Models from 420MHz to 6GHz**
- **Nickel plated for corrosion resistance**



The NQWS range (Narrowband Quarterwave Tubeless Stub) of surge protection devices prevent surges and transient overvoltages. The NQWS range uses an innovative "tubeless" design to achieve the superior performance characteristics of a conventional quarterwave stub. This compact unit has a high transient current capability with extremely low Passive Intermodulation (PIM).

Typical applications for the NQWS range include the protection of radio telemetry systems, mobile communications base stations and where high induced voltages may be present.

Receivers and transmitters are particularly vulnerable to damage from the effects of lightning. Their remote locations (height above ground) and physical construction make them vulnerable to lightning activity. The use of semiconductors and integrated circuits in transmitters and receivers has rendered them particularly prone to damage from these disturbances.

Excellent performance levels are achieved using a tuned cavity and no discrete components to offer extremely high surge current capability in a rugged, economic, compact enclosure to produce superior surge suppression.

The AirGuard range provides a wide range of connector types including BNC, TNC, N-type, SMA and UHF to suit all application requirements. In addition, bulkhead mounting options are provided where insertion into a panel is preferable. The GT and RGT ranges are available with a wide choice of voltages: 90V, 145V, 230V, 350V, 470V 600V, 800V or 1,000V.

Complete site protection can be achieved by using our wide range of AC and DC power surge protection devices to prevent surges entering equipment via their power supply. The MTL ZoneMaster range of protectors combine a high level of protection and when used in conjunction with the MTL ZoneBarrier data protection modules, provide the highest level of site protection available.

# RF Coaxial surge protection

October 2016

## SPECIFICATION

All figures typical at 77°F (25°C) unless otherwise stated

### Maximum discharge current

60- 100kA (8/20µs)  
 7/16: 40kA\* — 60kA\*\* (10/350µs)  
 N: 20kA\* — 30kA\*\* (10/350µs)  
 \* = below 0.8GHz  
 \*\* = above 0.8GHz

### Maximum power rating (VSWR)

1.15:1

### Frequency Range

410MHz to 6GHz

### Peak Pulse Current (8/20µs)

60kA- 120kA

### Impedance

50 Ω

### RF Power

.5kW average  
 5kW peak

### Typical let-through voltage

10V pk/10µJ @ 20kA 8/20µs

### Return loss

-26.4dB

### Passive intermod

-150dBc PIM

### Weight

0.3lb/140g

### Environmental

IP67  
 -40°F to +194°F (-40°C to +90°C)

Model	Mounting connectors	Second connector	VSWR	Insertion loss (dB)	Impedance (Ω)	Surge current
RF51033*	N Bulkhead Female	N Female	1.1:1 to 1.15:1	0.1 to 0.15	50	60kA
RF51034*	N Bulkhead Female	N Male	1.1:1 to 1.15:1	0.1 to 0.15	50	60kA
RF51035*	7/16 Bulkhead Female	7/16 Female	1.1:1 to 1.15:1	0.1 to 0.15	50	100kA
RF51036*	7/16 Bulkhead Female	7/16 Male	1.1:1 to 1.15:1	0.1 to 0.15	50	100kA

250 piece minimum for RF51035\*, RF51036\*, RF51037 & RF51038

**Note:** Select frequency code from table below. The RF51035 & RF51036 are available only in frequency codes A, B, C, F & I.

### Bandwidth frequency

Code	A	B	C	E	F	G	I	H
Frequency	.411-.494	.82-.96	1.7-2.0	2.2-2.6	3.0-3.6	5.15-5.88	.82-2.2	2.4-6.0
Loss	0.1	0.1	0.1	0.1	0.1	0.1	0.1	0.15
VSWR	1.1	1.1	1.1	1.1	1.1	1.1	1.15	1.15

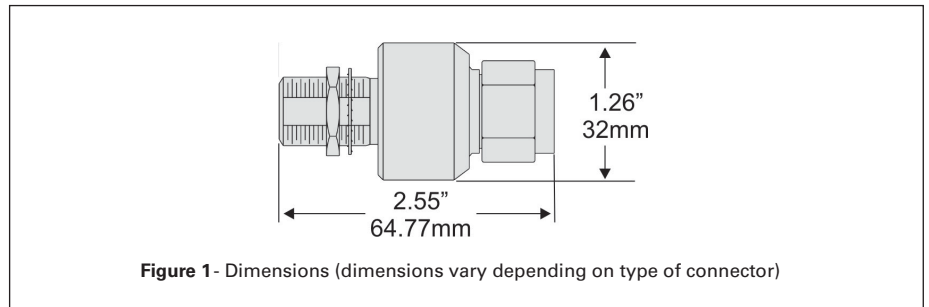
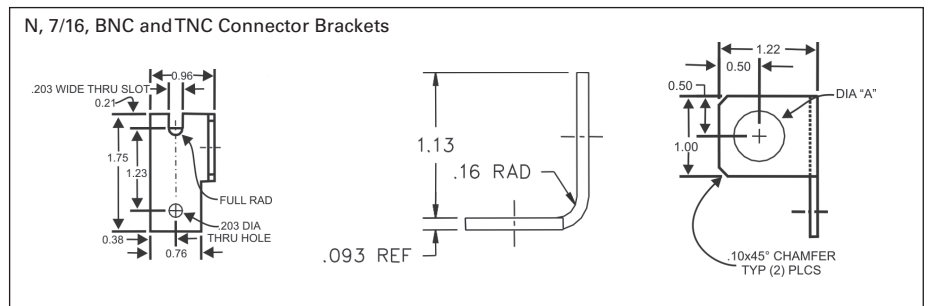


Figure 1 - Dimensions (dimensions vary depending on type of connector)

### Brackets

Model	Connectors	Diameter
RF51074	7/16 DIN	1.146" ( 2.91cm)
RF51075	N	0.630" (1.6cm)



**Eaton Electric Limited,**  
 Great Marlings, Butterfield, Luton  
 Beds, LU2 8DL, UK.  
 Tel: + 44 (0)1582 723633 Fax: + 44 (0)1582 422283  
 E-mail: mtlenquiry@eaton.com  
 www.mtl-inst.com

© 2016 Eaton  
 All Rights Reserved  
 Publication No. EPS 901-111 Rev J 251016  
 October 2016

**EUROPE (EMEA):**  
 +44 (0)1582 723633  
 mtlenquiry@eaton.com

**THE AMERICAS:**  
 +1 800 835 7075  
 mtl-us-info@eaton.com

**ASIA-PACIFIC:**  
 +65 6645 9864 / 6645 9865  
 sales.mtlsing@eaton.com

The given data is only intended as a product description and should not be regarded as a legal warranty of properties or guarantee. In the interest of further technical developments, we reserve the right to make design changes.