

# MTL9468-ET

## 10/100Mb Ethernet Isolator



## **DECLARATION OF CONFORMITY**

A printed version of the Declaration of Conformity has been provided separately within the original shipment of goods. However, you can find a copy of the latest version at <http://www.mtl-inst.com/certificates>

# CONTENTS

- DECLARATION OF CONFORMITY ..... II
- 1. FEATURES..... 1
- 2 DESCRIPTION ..... 2
- 3. INSTALLATION ..... 2
  - 3.1 Protection..... 2
  - 3.2 Mechanical mounting ..... 2
  - 3.4 Label marking ..... 4
- 4 ENVIRONMENTAL..... 4
- 5 WASTE REMOVAL INFORMATION ..... 4
- 6 ACCESSORIES ..... 4
- 7 APPROVALS ..... 5
- 8 FM CERTIFICATION INFORMATION ..... 5
- 9 ATEX & IECE<sub>x</sub> CERTIFICATION INFORMATION ..... 5

THIS PAGE IS LEFT INTENTIONALLY BLANK

## 9468-ET - Ethernet Isolator



### 1. FEATURES

- ◆ Intrinsically Safe ATEX / IECEx certified
- ◆ FM / FMC approved
- ◆ Ga Ex ia IIC T4 GD (surface), Ma Ex ia I M1 (mining)
- ◆ Zone 2 / Safe Area mounting with Hazardous Area connections into Zone 1 and 0.
- ◆ Interfaces Zone 2 and non-approved devices to the Intrinsically Safe 9400 series.
- ◆ Total galvanic isolation ( $U_m=253V_{ac}$ ) from Safe to Hazardous RJ45 ports
- ◆ Single Safe Area supply: 20...30V dc @ 220mA
- ◆ Extended temperature range (-20°C...+70°C)
- ◆ PoEx™ - "Power over Ethernet" power sourcing equipment - distributes device supplies via the RJ45 ports\*
- ◆ 10/100Mb Ethernet twisted pair (Cat5e) RJ45 Connections (100m max)
- ◆ Status LED's for:
  - 'Power On'
  - Safe Area UTP 'Link 10Mb' or 'Link 100Mb' Established
  - Safe Area UTP 'Tx/Rx Activity'
  - Hazardous Area UTP 'Link 10Mb' or 'Link 100Mb' Established
  - Hazardous Area UTP 'Tx/Rx Activity'
- ◆ Transparent operation – 10/100Mbps, Full/Half Duplex with Auto-Negotiation
- ◆ Supports IEEE 802.3: 10Base-T, 100Base-TX
- ◆ DIN-rail mounting module

*\*Note – PoEx is a simple adaptation of the IEEE 802.3af Power over Ethernet (PoE) standard to bring the benefits to the 9400 Range of Hazardous Area devices. This allows two spare pairs in the existing Cat5e cable to distribute the power supply from a 9466-ET Ethernet Switch (Power Sourcing Equipment – PSE) to each of the devices connected to its five ports (PD – Powered Device). This adaptation is necessary due to restrictions for Hazardous Area use. It is not implied that the device conforms to the 802.3af (PoE) standard.*

## 2 DESCRIPTION

The 9468-ET 10/100Mbps Ethernet Isolator allows the interconnection of a Zone 2 or un-certified Safe Area device to the Intrinsically Safe 9400 series of Ethernet networking products, operating in the Hazardous Area.

The isolator provides a compact alternative solution to fibre optic cable and media converters and for when it is desirable to use Cat5e cables in preference to fibre.

The module requires a single supply from the Safe Area of 20...30Vdc at approx 220mA.

## 3. INSTALLATION



**WARNING:** This equipment must be installed, operated and maintained only by trained competent personnel and in accordance with all appropriate international, national and local standard codes of practice and site regulation for intrinsically safe apparatus and in accordance with the instructions contained here. See also Sections 7, 8 & 9 for approvals and important conditions of safe use.

### 3.1 Protection

The module requires mounting within an enclosure providing a degree of protection of at least IP6x, in accordance with EN60529 and in a manner that does not impair the existing creepage and clearance distances. The enclosure must also comply with the requirements of Clauses 7 and 8 of EN50014 and be sealed to prevent the ingress of dust.

### 3.2 Mechanical mounting

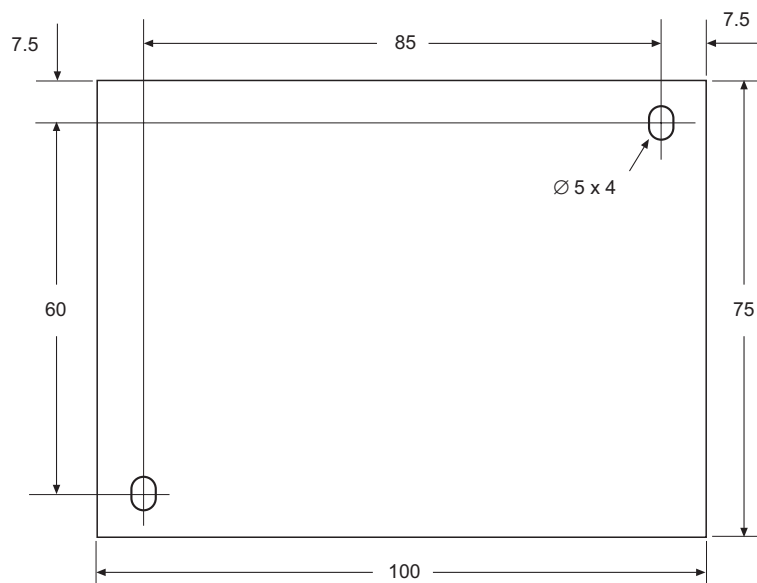
#### 3.2.1 DIN rail mounting

The module will 'snap-fit' onto standard DIN rail (TS35) to EN 50022. Height off rail - including any connectors but excluding cables = 106mm.

Tilt the module to engage the top DIN rail clips then rotate down and press to the DIN rail until the lower spring clip is properly engaged.

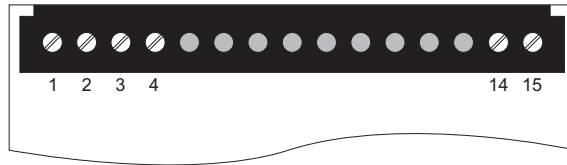
#### 3.2.2 Flat panel mounting

The module has two fixing holes to enable it to be mounted with two M3.5 screws. Use the following dimension diagram to establish the hole positions. Depth - including connectors but excluding cables = 111mm.



### 3.3. Electrical connections

#### 3.3.1 Screw Terminals



Terminal No.	Function
1	+20...30V dc in
2	+20...30V dc in
3	0V
4	0V
5–13	No connection
14	Supply in +12V - PoEx †
15	Supply in 0V - PoEx †

Note: Terminal pairs 1+2 and 3+4 are linked internally.

† To use PoEx, connect IS supply to terminals 14 & 15 (marked blue).



**WARNING:** The supply for PoEx must be derived from a suitably certified, intrinsically safe supply.

#### 3.3.2 Front Panel Connectors

##### SAFE AREA - 10/100 BASE-T - Ethernet RJ45

(TX/RX crossed MDI-X)

Pin No.	Function
1	RX +
2	RX –
3	TX +
4	
5	
6	TX –
7	
8	

##### HAZARDOUS AREA - 10/100 BASE-T - Ethernet RJ45

(TX/RX crossed MDI-X) Connector marked blue

Pin No.	Function
1	RX +
2	RX –
3	TX +
4	Supply 12V - PoEx †
5	Supply 12V - PoEx †
6	TX –
7	Supply 0V - PoEx †
8	Supply 0V - PoEx †

† When supply has been connected to screw terminals 14 & 15.

When connecting the Cat5e cable to another device a straight connected RJ45 cable is used, a crossover cable is not required as the RJ45 connector performs the X-over.

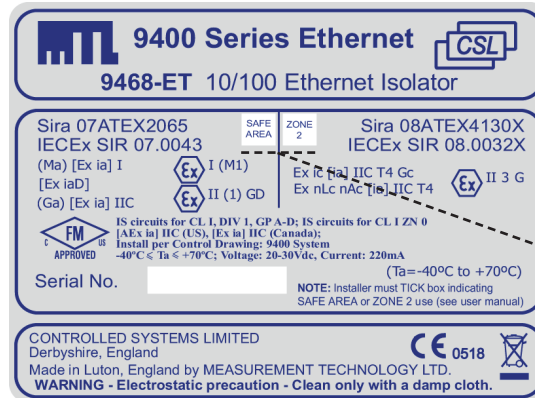
A Crossover cable *is required* when interconnecting two 9468 modules.

It is recommended that Cat5e cables for Hazardous Area Zone 1 use are 'Blue' in colour and are of good quality (see accessories section), the Safe Area cables being a colour other than blue to aid identification.

### 3.4 Label marking

After installation, the product label should be permanently marked to indicate the type of area (safe or Zone 2) in which it has been mounted. Two tick (check) boxes are provided on the product label.

Place a single tick (check), with an indelible marker, in the appropriate box to indicate whether the box is being mounted in a safe area or a Zone 2 hazardous area.



**Note:** When a 9468-ET isolator has been used in (and marked for) a safe area, it may NOT be used in future in a Zone 2 hazardous area.

## 4 ENVIRONMENTAL

Operating Temperature	-20°C...+70°C
Storage Temperature	-20°C...+70°C
Humidity	5...95% RH, non condensing

## 5 WASTE REMOVAL INFORMATION



The electronic equipment within must not be treated as general waste. By ensuring that this product is disposed of correctly you will be helping to prevent potentially negative consequences for the environment and human health, which could otherwise be caused by incorrect waste handling of this product.

For more detailed information about the take-back and recycling contact Eaton's MTL product line.

## 6 ACCESSORIES

For interconnecting the 9460-ET range of products, we offer approved RJ45 Cat5e UTP cables in various standard lengths (0.5...100m)

Ordering details

Copper Twisted Pair UTP Patch Cable (Blue) pre-terminated RJ45-RJ45 connectors

Part No. CSL9405-xx (-xx is used to signify the length of the cable.)



## 7 APPROVALS

The operating parameters must not exceed those as detailed on the certificate.

- 2014/30/EU EMC Directive
- 2014/35/EU Low Voltage Directive

Region	Europe (ATEX)	International IECEx	USA	Canada
Authority	SIRA	SIRA	FM	CSA
Standard	EN 60079-0:2006, EN 60079-11:2007, IEC 60079-26:2006, IEC 61241-0:2004, IEC 61241-11:2005	IEC 60079-0:2004, IEC 60079-11:2006, IEC 60079-26:2006, IEC 61241-0:2004, IEC 61241-11:2005	3600 3610 3810	C22.2 No. 61010.1:2004 C22.2 No. 157:1992 CAN/CSA-E60079-0:2007 CAN/CSA-E60079-11:2002
Approved for	⊕ II (1) GD ⊕ I (M1) (Ga) [Ex ia] IIC [Ex iaD] (Ma) [Ex ia] I (Ta = -40°C to +70°C)*	(Ga) [Ex ia] IIC [Ex ia D] (Ma) [Ex ia] I (Ta = -40°C to +70°C)*	AIS/I/1/ABCD/T4 Ta=70°C [I]/[O]/[AEx ia] IIC T4 Ta=70°C	AIS/I/1/ABCD/T4 Ta=70°C [I]/[O]/[AEx ia] IIC T4 Ta=70°C
Cert. no.	Sira 07ATEX2065	IECEx SIR 07.0043	3034995	3034995C

\* (see specification for operating temperature range)

Region	Europe (ATEX)	International IECEx	USA	Canada
Authority	SIRA	SIRA	FM	FMC
Standard	EN 60079-0:2006, IEC 60079-0:2007†, EN 60079-11:2007, EN 60079-15:2005, IEC 60079-26:2006	IEC 60079-0:2004, IEC 60079-11:2006, IEC 60079-15:2005-03		
Approved for	⊕ II 3 G Ex ic (ia) IIC T4 Gc (Ta = -40°C to +70°C)* Ex nLc nAc (ia) IIC T4 (Ta = -40°C to +70°C)*	Ex ic [ia] IIC T4 Gc (Ta = -40°C to +70°C)* Ex nLc nAc [ia] IIC (Ta = -40°C to +70°C)*		
Cert. no.	Sira 08ATEX4130X	IECEx SIR 08.0032X		

† (for guidance on the Gc, nLc & nAc marking) \* (see specification for operating temperature range)

## 8 FM CERTIFICATION INFORMATION

### Special Condition of Use - Factory Mutual (USA & Canada)

1. The Model 9468-ET shall be installed in compliance with the enclosure, mounting, spacing and segregation requirements of the ultimate application.

## 9 ATEX & IECEx CERTIFICATION INFORMATION

The following information is in accordance with the Essential Health and Safety Requirements (Annex II) of the EU Directive 2014/34/EU [the ATEX Directive - safety of apparatus] and is provided for those locations where the ATEX Directive is applicable.

### General

- a. This equipment must only be installed, operated and maintained by competent personnel. Such personnel shall have undergone training, which included instruction on the various types of protection and installation practices, the relevant rules and regulations, and on the general principles of area classification. Appropriate refresher training shall be given on a regular basis. [See clause 4.2 of EN 60079-17].
- b. This equipment has been designed to provide protection against all the relevant additional hazards referred to in Annex II of the directive, such as those in clause 1.2.7.
- c. This equipment has been designed to meet the requirements of intrinsically safe electrical apparatus in accordance with EN 60079-0, EN 60079-11 and EN 60079-26.

## Installation

- a. reference to the IEC code of practice IEC 60079-14. In addition, particular industries or end users may have specific requirements relating to the safety of their installations and these requirements should also be met. For the majority of installations the Directive 1999/92/EC [the ATEX Directive - safety of installations] is also applicable.
- b. Unless already protected by design, this equipment must be protected by a suitable enclosure against:
  - i) mechanical and thermal stresses in excess of those noted in the certification documentation and the product specification.
  - ii) aggressive substances, excessive dust, moisture and other contaminants.
- c. This apparatus is intrinsically safe electrical apparatus and is normally mounted in a hazardous area. When mounted in a Zone 1 location the apparatus must be provided with an enclosure, which offers an additional degree of protection appropriate to the area classification.

## Special conditions for safe use

- a. The non-metallic enclosure of the 'ic' certified 9468-ET 10/100 Ethernet Isolator module does not satisfy Table 4 of EN 60079-0:2006 for equipment protection level Gc and could be a potential electrostatic charging hazard, this must be taken into consideration during the installation of the modules.
- b. The 'nLc' 'nAc' certified 9468-ET 10/100 Ethernet Isolator module shall be installed in an ATEX Component Approved Ex 'e' enclosure that provides a level of protection appropriate for its intended environment of use. The minimum level of ingress protection provided shall be IP54.

## Inspection and maintenance

- a. Inspection and maintenance should be carried out in accordance with European, national and local regulations which may refer to the IEC standard IEC 60079-17. In addition specific industries or end users may have specific requirements which should also be met.
- b. Access to the internal circuitry must not be made during operation.

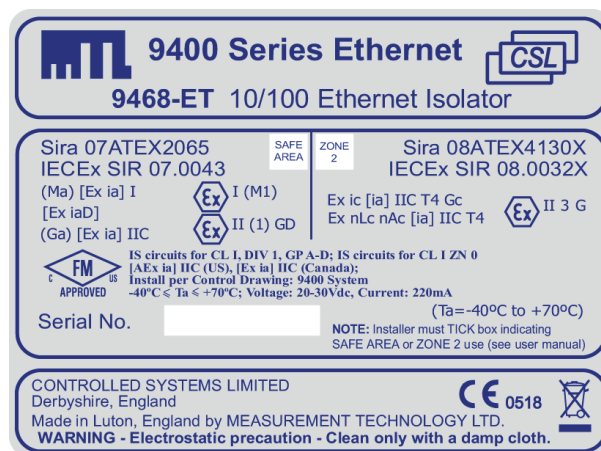
## Repair

This product cannot be repaired by the user and must be replaced with an equivalent certified product.

## Marking

Each device is marked in accordance with the Directive and CE marked with the Notified Body Identification Number.

This information applies to products manufactured during or after the year 2010.



**Replace this page with the first page of  
the PDF of the Control Drawing**

## AUSTRALIA

MTL Instruments Pty Ltd,  
10 Kent Road, Mascot, New South Wales, 2020, Australia  
Tel: +61 1300 308 374 Fax: +61 1300 308 463  
E-mail: mtl-salesanz@eaton.com

## BeNeLux

MTL Instruments BV  
Ambacht 6, 5301 KW Zaltbommel  
The Netherlands  
Tel: +31 (0)418 570290 Fax: +31 (0)418 541044  
E-mail: mtl.benelux@eaton.com

## CHINA

Cooper Electric (Shanghai) Co. Ltd  
955 Shengli Road, Heqing Industrial Park  
Pudong New Area, Shanghai 201201  
Tel: +86 21 2899 3817 Fax: +86 21 2899 3992  
E-mail: mtl-cn@eaton.com

## FRANCE

MTL Instruments sarl,  
7 rue des Rosiéristes, 69410 Champagne au Mont d'Or  
France  
Tel: +33 (0)4 37 46 16 53 Fax: +33 (0)4 37 46 17 20  
E-mail: mtlfrance@eaton.com

## GERMANY

MTL Instruments GmbH,  
Heinrich-Hertz-Str. 12, 50170 Kerpen, Germany  
Tel: +49 (0)22 73 98 12-0 Fax: +49 (0)22 73 98 12-2 00  
E-mail: csckerpen@eaton.com

## INDIA

MTL India,  
No.36, Nehru Street, Off Old Mahabalipuram Road  
Sholinganallur, Chennai- 600 119, India  
Tel: +91 (0) 44 24501660 /24501857 Fax: +91 (0) 44 24501463  
E-mail: mtlindiasales@eaton.com

## ITALY

MTL Italia srl,  
Via San Bovio, 3, 20090 Segrate, Milano, Italy  
Tel: +39 02 959501 Fax: +39 02 95950759  
E-mail: chmninfo@eaton.com

## JAPAN

Cooper Crouse-Hinds Japan KK,  
MT Building 3F, 2-7-5 Shiba Daimon, Minato-ku,  
Tokyo, Japan 105-0012  
Tel: +81 (0)3 6430 3128 Fax: +81 (0)3 6430 3129  
E-mail: mtl-jp@eaton.com

## NORWAY

Norex AS  
Fekjan 7c, Postboks 147,  
N-1378 Nesbru, Norway  
Tel: +47 66 77 43 80 Fax: +47 66 84 55 33  
E-mail: info@norex.no

## RUSSIA

Cooper Industries Russia LLC  
Elektrozavodskaya Str 33  
Building 4  
Moscow 107076, Russia  
Tel: +7 (495) 981 3770 Fax: +7 (495) 981 3771  
E-mail: mtlrussia@eaton.com

## SINGAPORE

Cooper Crouse-Hinds Pte Ltd  
No 2 Serangoon North Avenue 5, #06-01 Fu Yu Building  
Singapore 554911  
Tel: +65 6 645 9888 Fax: +65 6 487 7997  
E-mail: sales.mtlsing@eaton.com

## SOUTH KOREA

Cooper Crouse-Hinds Korea  
7F, Parkland Building 237-11 Nonhyun-dong Gangnam-gu,  
Seoul 135-546, South Korea.  
Tel: +82 6380 4805 Fax: +82 6380 4839  
E-mail: mtl-korea@eaton.com

## UNITED ARAB EMIRATES

Cooper Industries/Eaton Corporation  
Office 205/206, 2nd Floor SJ Towers, off. Old Airport Road,  
Abu Dhabi, United Arab Emirates  
Tel: +971 2 44 66 840 Fax: +971 2 44 66 841  
E-mail: mtlgulf@eaton.com

## UNITED KINGDOM

Eaton Electric Ltd,  
Great Marlings, Butterfield, Luton  
Beds LU2 8DL  
Tel: +44 (0)1582 723633 Fax: +44 (0)1582 422283  
E-mail: mtlenquiry@eaton.com

## AMERICAS

Cooper Crouse-Hinds MTL Inc.  
3413 N. Sam Houston Parkway W.  
Suite 200, Houston TX 77086, USA  
Tel: +1 281-571-8065 Fax: +1 281-571-8069  
E-mail: mtl-us-info@eaton.com