



technical datasheet

9299-PSE

Industrial Power Over Ethernet (PoE) Injectors

- Simplify system wiring
- Reduce maintenance time
- Save money
- Fully IEEE 802.3af compliant PSE (Power Sourcing Equipment) operation
- 9299-PSE24A/B directly runs off existing 24V DC and powers one PoE (48 VDC) port
- 9299-PSE48A/B saves space and money by powering two PoE (48 VDC) ports
- Industrial rated for -40 to 75°C operation



The 9299-PSE24A/B or 9299-PSE48A/B industrial PoE power injectors add 48V DC power into one or two Ethernet ports so that both power and data can be passed over the same wire to Ethernet devices in the field. The PSE24A/B models step up a 24V DC source to power a single PoE port, avoiding the need for a separate DC/DC converter. The PSE48A/B models provide two injectors in one package to save both space and money. Both models are ultra-rugged, reliable and easy to use.

IEEE 802.3AF COMPLIANT POE PORTS

- Power Sourcing Equipment (PSE) operation
- Auto-detection of PD (powered devices)
- Supplies up to 15.4 watts per channel
- Over-temperature and over-current detection
- Over and under-voltage protection

TRUE PLUG AND PLAY SIMPLICITY

- No user settings
- Ready to use right out of the box

TROUBLE FREE OPERATION

- Ultra-reliable 1,000,000+ hours MTBF
- Slim package for DIN rail or panel mounting

EPS9299-PSE 060314

 **COOPER** Crouse-Hinds

www.mtl-inst.com

SPECIFICATION

GENERAL

- Ethernet protocols supported: All IEEE 802.3
- Ethernet connectors per channel: 2
- Ethernet port standards: 10/100BaseTX IEEE 802.3/802.3u

PoE OUTPUT

- Fully IEEE 802.3af compliant
- IEEE 802.3af PoE operation: Power Sourcing Equipment (PSE)
- PoE power output: 48V DC @ 15.4W per channel (PSE24V model: derate 1W per 2°C over 60°C)
- RJ45 PoE pin assignments
 - A = unused pair: TX(3,6); RX(1,2); V-(7,8); V+(4,4)
 - B = signal pair: TX/V-(3,6); RX/V+(1,2)
- PoE operation: Auto-detection & power management
- PoE protection: Over-temp, over-current, over/under voltage & transient

POWER INPUT

- Fully IEEE 802.3af PoE compliant
- Power input for PSE48A/B models: 45-56VDC @ 31W max.
- Power input for PSE24A/B models: 18-30VDC @ 20W max.
- Transient protection: 15,000W peak
- Spike protection: 5,000W (10 times for 10µs)

ENVIRONMENTAL

- Operating temperature range: -40 to +75°C (cold startup @ -40°C)
PSE24V model: derate 1W per 2°C over 60°C
- Storage temperature range: -40 to +85°C
- Humidity (non-condensing) 5 to 95% RH
- Vibration, shock and freefall: IEC68-2-6, -27 and -32

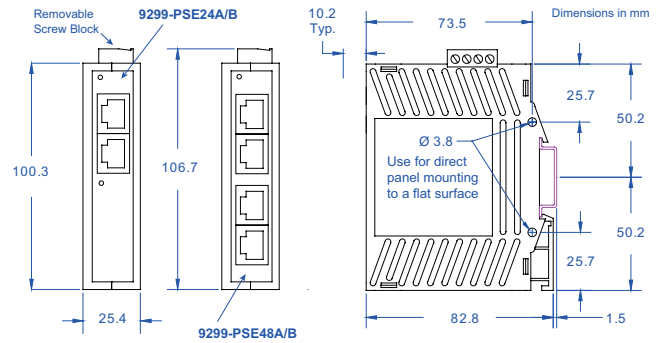
STANDARDS COMPLIANCE

- Electrical safety: UL508/CSA C22.2/14; EN61010-1, CE
- EMI emissions: FCC part 15, ICES-003; EN61000-6-4, CE
- EMC immunity: IEC61000-6-2, CE
- Hazardous locations: UL1604, CSA C22.2/213 (Class I, Div. 2); EN60079-15 (Zone 2; Category 3), CE (ATEX)

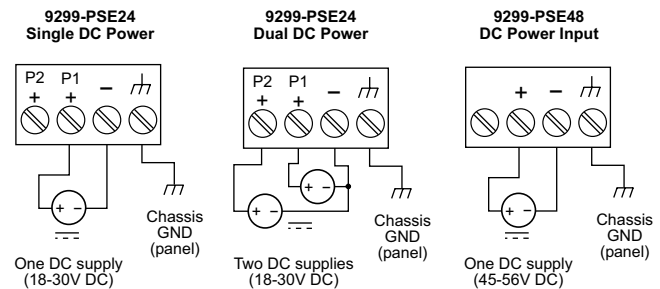
PHYSICAL

- DIN rail or direct panel mounting
- Packaging - Polycarbonate with IP30 protection
- Weight (approximate): 0.17 Kg (0.25 lbs)
- Dimensions: H106.7 x W25.4 x D82.8 mm
- MTBF (estimated): >1,000,000 hours

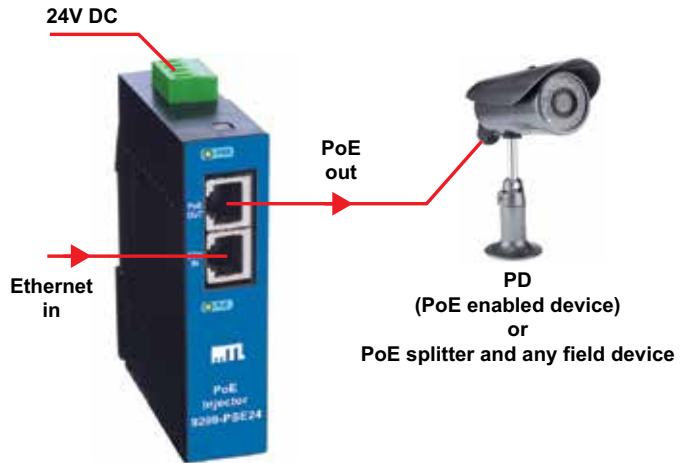
MECHANICAL



POWER WIRING



TYPICAL APPLICATION



ORDERING INFORMATION

9299-PSE24A	PoE injector for 1 PoE port (via unused pairs), 24V
9299-PSE48A	PoE injector for 2 PoE ports (via unused pairs), 48V
9299-PSE24B	PoE injector for 1 PoE port (via signal pairs), 24V
9299-PSE48B	PoE injector for 2 PoE ports (via signal pairs), 48V

ACCESSORIES

9299-PD24	PoE splitter for 24V DC devices (Other voltages available - special order)
------------------	--

The given data is only intended as a product description and should not be regarded as a legal warranty of properties or guarantee. In the interest of further technical developments, we reserve the right to make design changes.



EUROPE (EMEA): +44 (0)1582 723633
enquiry@mtl-inst.com

THE AMERICAS: +1 800 835 7075
csinfo@mtl-inst.com

ASIA-PACIFIC: +65 6 645 9888
sales.mtlsing@cooperindustries.com

EPS9299-PSE 060314