

F880-RT

Redundant fieldbus power for Yokogawa CENTRUM 3000 R3 control system

- **Integrated redundant fieldbus power for ALF111 FOUNDATION™ fieldbus cards**
- **8-segment redundancy**
- **High-density, compact design**
- **Fully isolated**
- **Hot swappable power modules***
- **Low power dissipation**
- **Zero component carrier**
- **On-line diagnostics option**
- **Redundant power & conditioning**
- **Vertical DIN-rail mounting**
- **F801 output 21.5V, 350mA**
- **F802 output 28V, 500mA**



The **F880-RT fieldbus power system** is designed to provide redundant power for eight FOUNDATION™ fieldbus H1 segments when used with Yokogawa ALF111 fieldbus cards. The F880-CA-RT module carrier has system connectors for direct connection to two redundant pairs of fieldbus cards using Yokogawa AKB336 cables.

Power for the fieldbus segments is provided by two power modules - F801s or F802s - operating in a redundant configuration (load sharing). Failure alarms, galvanic isolation, power conditioning and segment termination are incorporated into each F80x module. In simplex applications, a single F80x module may be used. Termination of the fieldbus segments is automatically maintained when single or redundant F80x modules are fitted.

For extreme reliability, the module carrier has no components and only provides interconnections between the power modules and external connections. It is supported in a rigid metal frame that protects the circuit board from mechanical damage. Secure DIN-rail mounting is provided by integrated fixings.

Each F80x module monitors the output of the eight fieldbus segments and indicates an alarm, by means of a built-in, normally closed relay, if any of the segments is shorted or below the minimum output voltage threshold. Failure of either of the bulk power input supplies is also annunciated. The alarm contacts

are volt-free and galvanically isolated from other circuitry. Connections to the alarm relays are made via terminals on the F880-CA-RT carrier. A separate alarm module is not required for this function. LED indicators also show the status of each F80x module and the eight individual segments. In normal operation, each segment LED is lit, showing that the segment is powered. If a segment is shorted, this LED is extinguished, and the module Alarm LED is lit.

A separate physical layer diagnostics module may be installed on the carrier to automatically collect and distribute additional diagnostic information for each of the eight fieldbus segments. For more information see the F809F product specification.

The F80x module provides galvanic isolation between the 24V DC input power and the fieldbus segments, as required by the IEC61158-2 fieldbus standard and the Fieldbus Foundation™ FF-831 validation test for fieldbus power supplies. There is also galvanic isolation between the fieldbus segments, thereby preventing multiple segment failures due to ground faults on more than one segment. Each segment has its own fieldbus power conditioner and current limitation.

Redundant 24V DC (nom.) input power is connected to the F880-CA-RT carrier using ring terminals that are attached to the barrier strip on the carrier. Field wiring connections are made in the same manner.

* Gas clearance certificate needed in Zone 2 hazardous areas

F880-RT fieldbus power system

September 2016

SPECIFICATION

Location of equipment

Safe area,
Class I Zone 2 IIC T4

INPUT	F801	F802
Input voltage (DC)	19.2 - 30.0V	19.2 - 30.0V
Current consumption (24V input, all outputs fully loaded)	3.5A*	6A*
Total Power dissipation (24V input, all outputs fully loaded)	20W*	24W*

* Redundant operation

OUTPUT	F801	F802
Number of channels	Eight (8)	Eight (8)
Voltage (DC)	21.5V - 24.0V	28.0V - 30.0V
Design current (per segment)	0 to 350mA	0 to 500mA
Current limit	> 370mA	> 520mA
Minimum load	0mA	0mA
Isolation		
Fieldbus to input power:	250V AC rms withstand	
Segment to segment:	200V DC withstand	

ALARMS

Alarm contact rating
1A maximum @ 30V DC maximum

Alarm contact status
Normally closed

Alarm threshold	F801	F802
Segment output	<19V DC	<24V DC

ELECTRICAL CONNECTIONS

System connectors
Host 1A, Host 1B, Host 2A, Host 2B via AKB336 cables to ALF111 modules

Fieldbus Wiring
Segments 1-8, 2-way barrier strip for use with ring terminals.

Fieldbus Power Input
Power A, Power B, 2-way barrier strip for use with ring terminals

Chassis ground and Alarm contacts
2-way barrier strip for use with ring terminals

Note: Barrier strip supports up to 8mm ring terminals with hole sizes from 3.5mm to 5.0mm

ENVIRONMENTAL

Ambient temperature	F801	F802
Operating (full load)	-40°C to +65°C	-40°C to +50°C
Operating (60% load)	-40°C to +65°C	-40°C to +65°C
Storage	-40°C to +85°C	-40°C to +85°C

Note: Temperature range applies only when mounted on a vertical DIN rail.

Ingress protection
IP20 to BS EN60529 (Additional protection by use of enclosure)

MECHANICAL

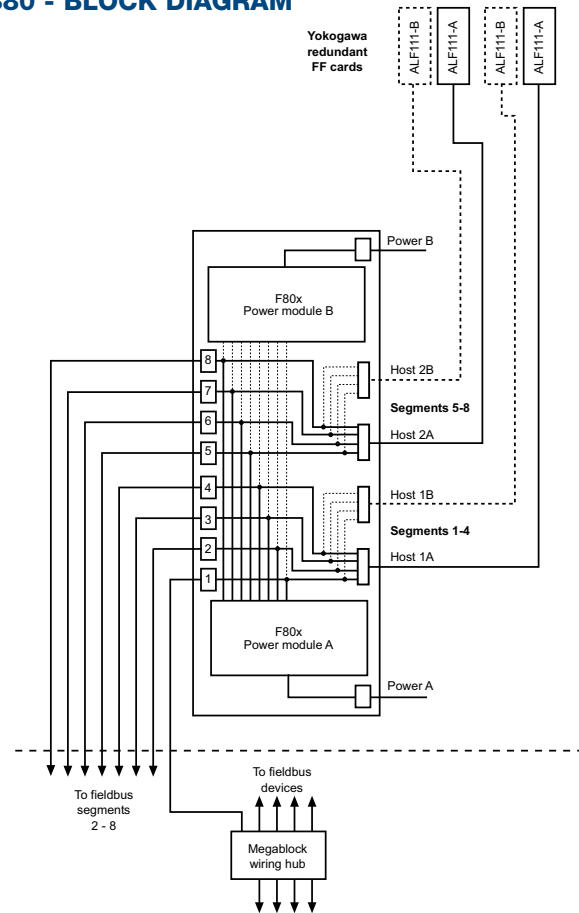
Mounting method
Integrated fixings for 'Top hat' DIN rail, 35mm x 7.5mm to EN50022

Weights	
F801:	1.45kg
F802:	1.50kg
F880-CA-RT:	0.92kg

ELECTRICAL

EMC Compliance
To EN61326:1998 Electrical equipment for measurement, control and laboratory use - EMC requirements

F880 - BLOCK DIAGRAM



The above diagram shows a block diagram of how the F880-CA-RT is wired. Note that the Chassis Ground and Alarm connection are not shown. The Diagnostic module is also not shown (see the F809F product specification).

For detailed wiring information see the Installation Instructions for the F880-RT (Document number 502-139).

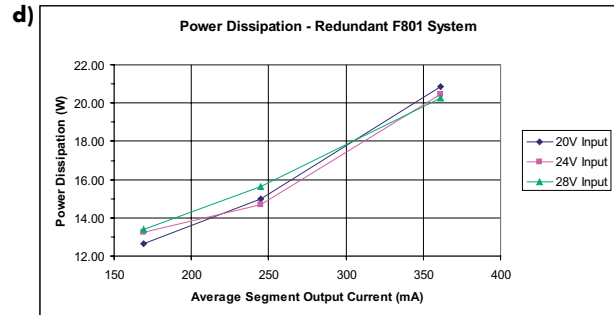
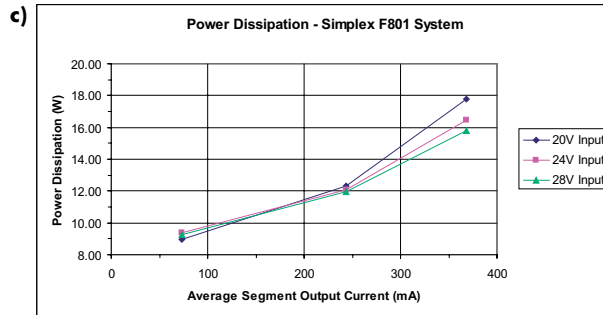
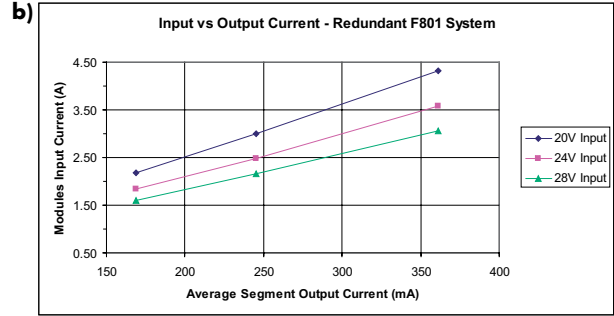
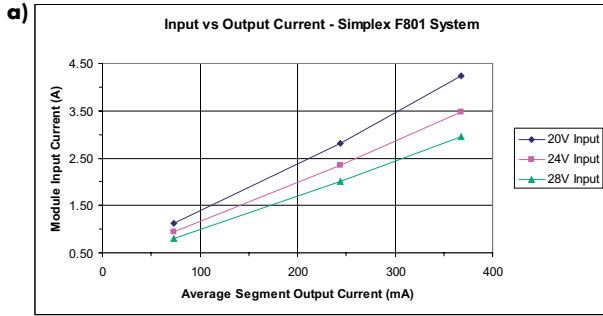
PHYSICAL NETWORKS

IEC61158-2
ISA-S50.02 Part 2-1992
FOUNDATION™ fieldbus H1
Profibus PA

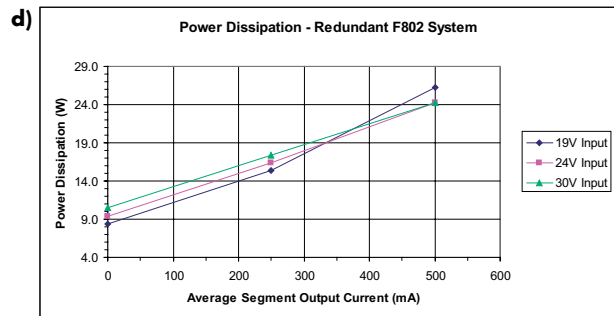
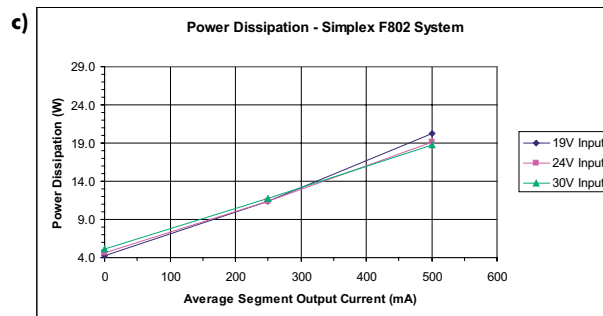
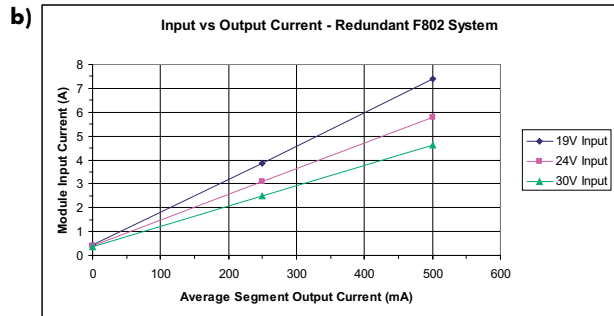
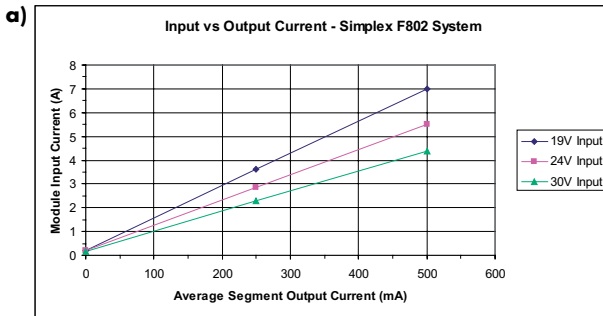
ORDERING INFORMATION

DESCRIPTION	PART NO.
Carrier, unpopulated	F880-CA-RT
8-segment power module: 21.5V, 350mA	F801
8-segment power module: 28V, 500mA	F802
F880-CA-RT and two F801 modules	F880-RT
F880-CA-RT and one F801 module	F880-RT-NR
F880-CA-RT and two F802 modules	F880-2-RT
F880-CA-RT and one F802 module	F880-2-RT-NR
Blanking modules included with -NR systems	F800-BLK
Fieldbus diagnostic module	F809F

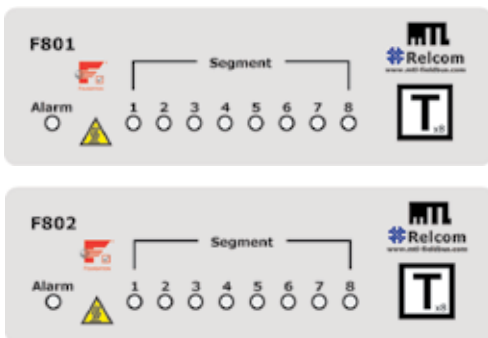
F801 PARAMETERS



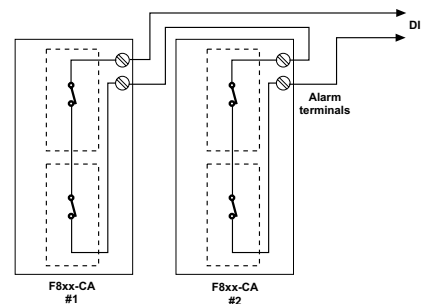
F802 PARAMETERS



F80x module top panels showing indicators



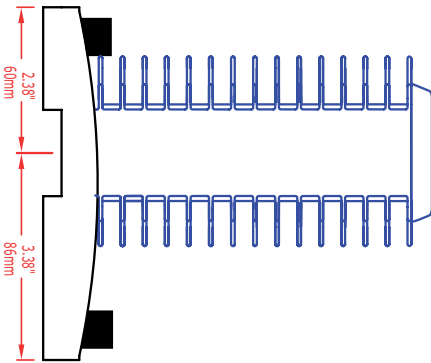
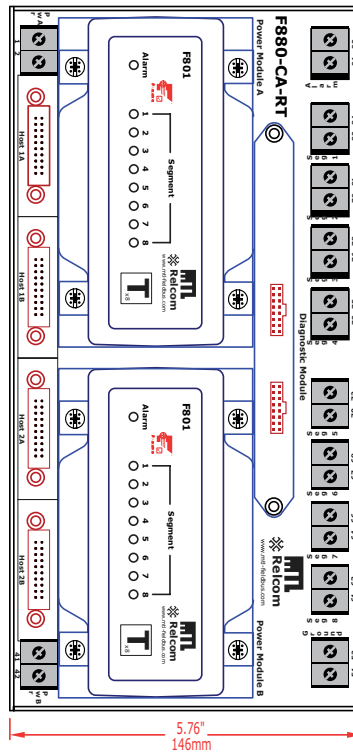
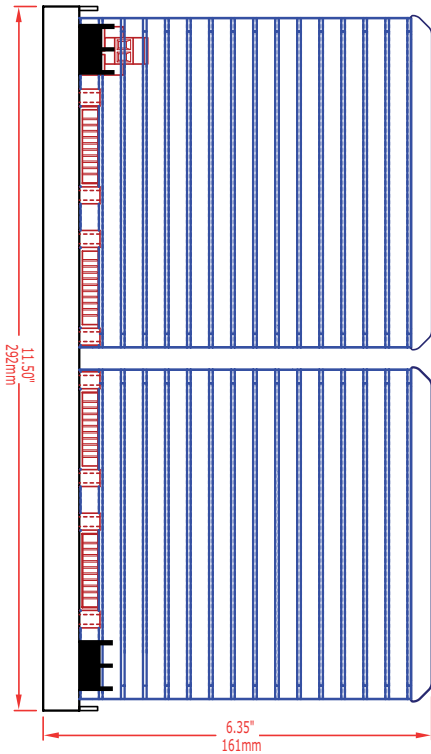
Linking alarm circuits



F880-RT fieldbus power system

September 2016

F880-RT DIMENSIONS



CAD drawings are available on-line at www.mtl-inst.com

APPROVALS - for the latest certification information visit www.mtl-inst.com/support/certificates

Region (Authority)	Standard	Certificate	Approved for	Ratings
EU (Relcom)	EN61326		Class A Industrial Locations	CE
(Fieldbus Foundation™)	FF-831	PS001700 - (F801) PS001900 - (F802)		Power Supply Type 132
EU (Relcom)	IEC 60079-0:2004 IEC 60079-15:2005	RELC07ATEX1002X (F801 + F802)	Ex nA IIC T4	U _o = 24V (F801) = 30V (F802)



Eaton Electric Limited,
Great Marlings, Butterfield, Luton
Beds, LU2 8DL, UK.
Tel: + 44 (0)1582 723633 Fax: + 44 (0)1582 422283
E-mail: mtlenquiry@eaton.com
www.mtl-inst.com

© 2016 Eaton
All Rights Reserved
Publication No. EPS F880-RT rev 3 200916
September 2016

EUROPE (EMEA):
+44 (0)1582 723633
mtlenquiry@eaton.com

THE AMERICAS:
+1 800 835 7075
mtl-us-info@eaton.com

ASIA-PACIFIC:
+65 6 645 9888
sales.mtsing@eaton.com

The given data is only intended as a product description and should not be regarded as a legal warranty of properties or guarantee. In the interest of further technical developments, we reserve the right to make design changes.