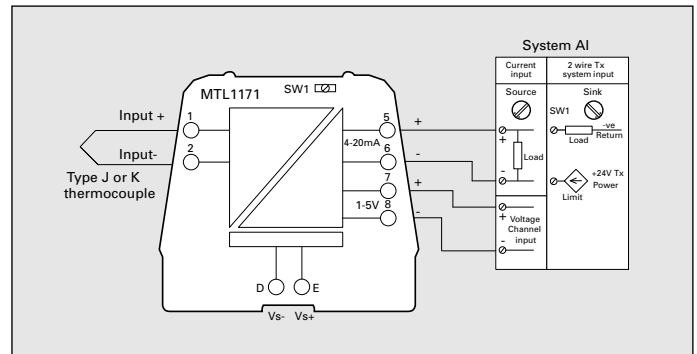


MTL1171 thermocouple input converter

1 channel for type J and K
thermocouple sensors



The **MTL1171** is a single channel thermocouple input converter with 4-20mA and 1-5V outputs. Input ranges are switch selectable.

Power for this module is supplied via the power bus embedded in the DIN rail. The PBUS6.2 kit must be ordered separately. 10 x 2 way power clips are provided to power 20 modules.

The **MTL1991** or PBUS02 is used to feed power onto the bus.

Terminals	Function
1	Input +
2	Input -
5	Current Output +/- Current Sink -
6	Current Output - / Current Sink +
7	Voltage Output +
8	Voltage Output -
D	Power supply -ve
E	Power supply +ve

SPECIFICATION	see also common specification
Number of channels	One, with fully floating outputs
Location of sensor	Safe area
Input range	Type J or K thermocouple with 15 switch selectable ranges
Output range	1-5V or 4-20mA current source or sink
Open wire detection	Switch selectable, upscale/downscale drive
Transfer accuracy	0.1% of span typical, 0.2% max
Temperature effect	0.01% / °C
Current consumption	37mA @ 24V current output. 13mA @ 24V voltage output
Power dissipation	0.9W @ 24V
Isolation	250V ac or dc functional isolation between power, field and system circuits. (Tested to 1100Vac)