

MTL4778ac

FOR TWO 2-WIRE

dc AND ac SYSTEMS



The MTL4778ac is a twin 2-channel barrier designed for 2-wire 24V dc and ac applications. The module is not designed to operate with busbed power.

SPECIFICATION

(See also common specification)

Channel number

1 to 4

Safety description

28V, 600Ω, 47mA

Polarity

ac

Max. end-to-end resistance

661Ω

V_{wkg} at 10μA

24.7V

V_{max}

26.1V

Fuse rating

32mA

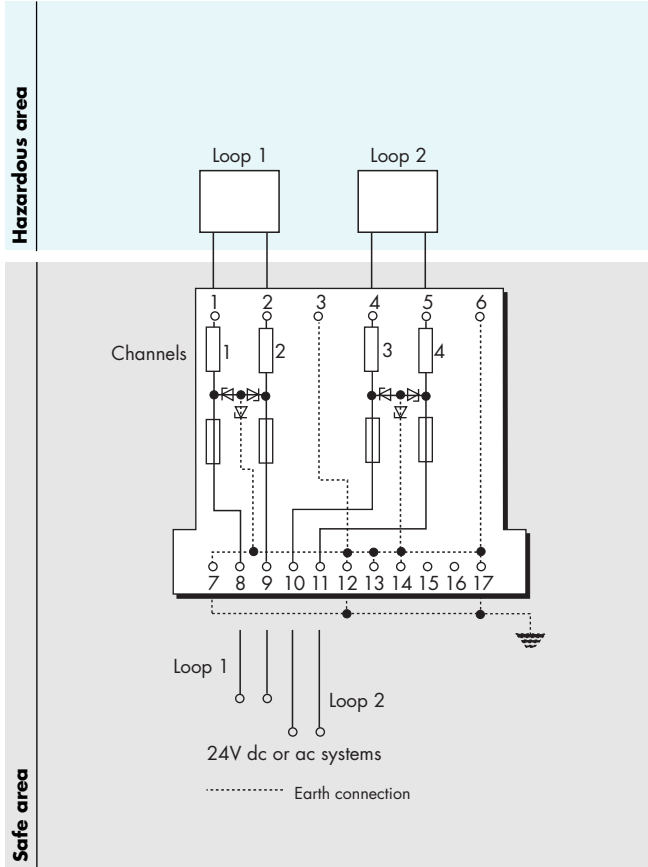
Matched power

0.33W

MAXIMUM CABLE PARAMETERS

(channel pairs 1 & 2 or 3 & 4, plus earth return)

BASEEFA (group IIC)			FM (groups A & B)	
Capacitance (μF)	Inductance (mH) or	L/R ratio (μH/Ω)	Capacitance (μF)	Inductance (mH)
0.13	4.2	36.7	0.14	4.34



See also approvals, dimensions and ordering information