

MTL4760ac

FOR TWO THERMOCOUPLES

low-level ac sensors, 4-wire RTDs



The MTL4760ac is a twin 2-channel barrier designed primarily for THCs, low-level ac signals and 4-wire RTDs. THCs and low-level ac sensors are typically powered by two barrier channels and hence the module can interface with two such devices. However, for a 4-wire RTD all four channels are needed so each such device is powered from a separate module. The MTL4760ac is not designed to operate from bussed power.

SPECIFICATION

(See also common specification)

Channel numbers

1 to 4

Safety description

9V, 75Ω, 120mA

Polarity

ac

Max. end-to-end resistance

95Ω

V_{wkg} at 10μA

7.0V

V_{max}

7.6V

Fuse rating

50mA

Matched power

0.27W

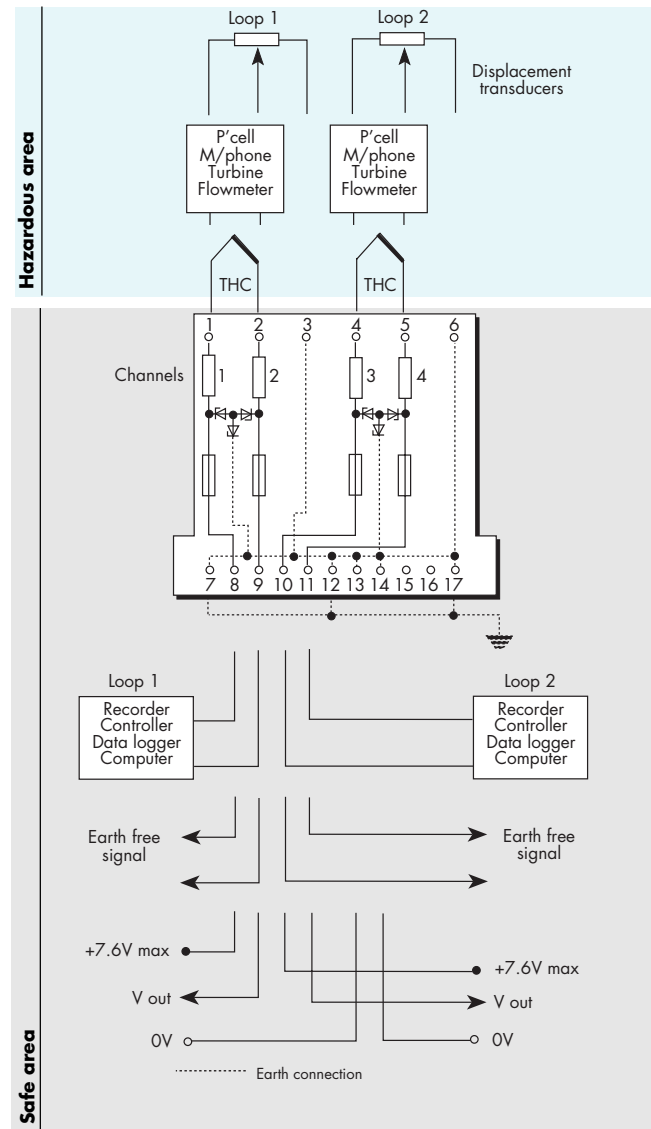
MAXIMUM CABLE PARAMETERS

	BASEEFA (group IIC)			FM (groups A & B)	
	Capacitance (μF)	Inductance (mH) or L/R ratio (μH/Ω)		Capacitance (μF)	Inductance (mH)
1	4.5	0.65	44.4	5.28	0.7
2	4.5	9.8	260	-	-
3	-	-	-	0.46	0.11
4	0.42	0.45	16.6	-	-

- 1: 2-channel with earth return (for channel pairs 1 & 2 or 3 & 4)
- 2: 2-channel without earth return (for channel pairs 1 & 2 and 3 & 4)
- 3: 4-channel with earth return (FM includes an earth return in its calculations)
- 4: 4-channel without earth return

See also approvals, dimensions and ordering information

ANALOGUE INPUTS (LOW LEVEL)



ANALOGUE INPUTS (LOW LEVEL)

