

MTL4722+

FOR FOUR 18V dc SYSTEMS



The MTL4722+ is a 4-channel barrier designed for 18V dc applications. The module is not designed to operate with bussted power.

SPECIFICATION

(See also common specification)

Channel numbers

1 to 4

Safety description

22V, 150Ω, 147mA

Polarity

Positive

Max. end-to-end resistance

185Ω

V_{wks} at 10μA

19.0V

V_{max}

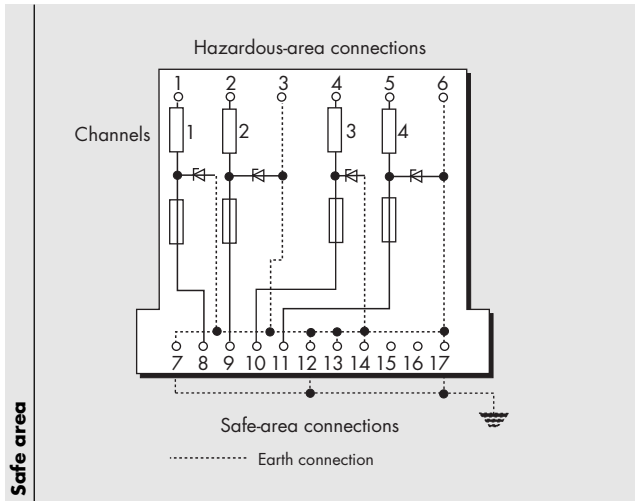
20.2V

Fuse rating

50mA

Matched power

0.81W



Safe area

MAXIMUM CABLE PARAMETERS

(for single channel with earth return)

BASEEFA (group IIC)			FM (groups A & B)	
Capacitance (μF)	Inductance (mH)	L/R ratio or (μH/Ω)	Capacitance (μF)	Inductance (mH)
0.26	1.75	46	0.28	2.08

See also approvals, dimensions and ordering information