

# MTL2000 & 3000 SERIES ENCLOSURES AND ACCESSORIES

for marshalling and protecting units in safe areas

- ◆ **A standard enclosure holding up to 2, MTL2000 Series units or twice the number of MTL3000 Series units**
- ◆ **Constructed from durable, lightweight, impact-resistant, flame-retardant polycarbonate**
- ◆ **Transparent lid for inspecting units and LED indicators**
- ◆ **Dust-tight and water-jet proof to IEC 529:IP65**

**The UC enclosure** provides a simple but effective means of mounting and protecting MTL interface units in safe areas. An enclosure is available, which can accommodate up to 2 MTL2000 Series units or twice the number of MTL3000 Series units. It provides protection against the ingress of dust and water to IEC 529: IP65. The enclosure enables interface units to be installed and wired up quickly without special tools, and is supplied with the necessary fixing attachments to allow the user to choose the most convenient of three methods of mounting.

**Constructed** from impact-resistant polycarbonate, the UC enclosure has a transparent lid to allow the interface units and their LED indicators to be viewed. The enclosure is fitted with top-hat rail so that the interface units can be clipped into position easily.

**Mounting** of the enclosure is normally by rear-fixing screws or screw-on fixing lugs, using the pre-tapped brass bushes moulded into the enclosures' base. Alternatively, if the enclosures are to be front mounted and close packed, a plastic membrane covering the inside of each tapped hole can be knocked out, allowing the passage of other screws. These enclosures are also supplied with plastic plugs to seal the knockout apertures and preserve the IP65 integrity of the enclosures if this method of fixing is used. Model UC2 does not require sealing plugs, because the knockout apertures are outside the enclosed compartment by virtue of the construction of the base. Dimensional details for mounting the enclosures, using all methods of fixing, are given overleaf.

**Accessories for mounting** units directly on 35mm DIN (top hat rail), or alternatively on flat surfaces using SMC2 mounting clips for MTL2000 units (MTL3000 units contain their own clips), are given overleaf.

## SPECIFICATION

### Capacity

	UC2
MTL2000 Series	2
MTL3000 Series	4

E.g., UC2 houses a maximum of two MTL2000 Series units OR four MTL3000 Series units. Unit types can be mixed in any combination within an enclosure.

### Construction

Base: glass-filled polycarbonate

Lid: unfilled polycarbonate

### Finish

Base: model UC2 dark grey. Lid: transparent.

### Lid fixing

Captive fixing screws

### Protection

Dust-tight and water-jet proof to IEC 529:IP65

### Gland fixing

Model UC2: two 20mm holes pre-drilled through base side.

Other models: top and bottom gland plates, detachable for drilling by user.

### Permitted location

Safe area

### Mounting

By corner screws or screw-on fixing lugs.

### 'Take Care' IS label

Adhesive front, inside lid. Provided on all models.

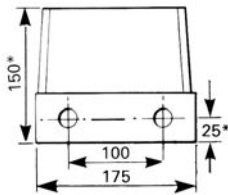
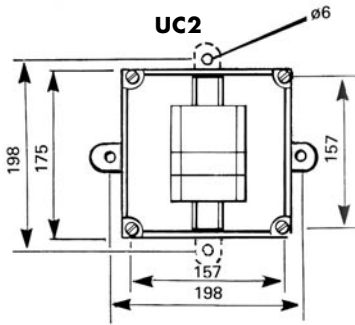
### Weight (kg, without units)

UC2: 0.6,

### NOTE:

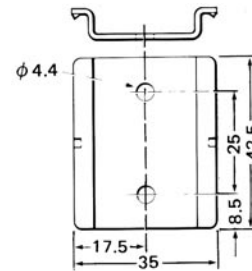
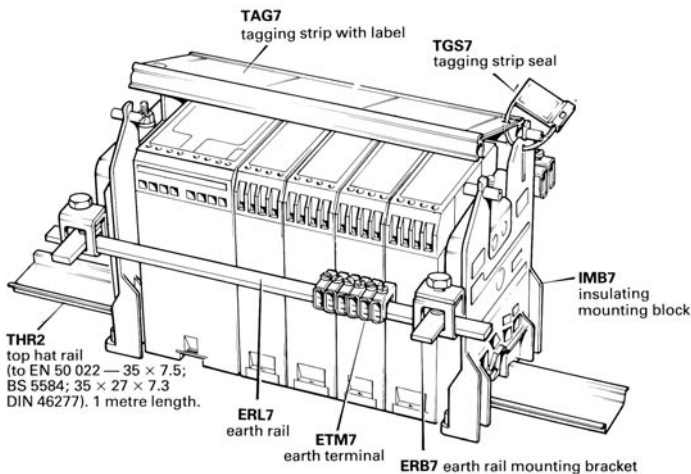
To mount multiples of units use the DX Series of enclosures. See MTL5000 Series Enclosures

## ENCLOSURE (dimensions in mm)



**TO ORDER, Specify enclosure number:** UC2

## ACCESSORIES



**SMC2 surface mounting clip**  
(for mounting MTL2000 Series units on a flat surface)

### Fuses

Spare fuses for interface units are available in packs of ten, as follows:

All MTL2000 Series units:  
Part No. FUS160 (value 160mA)

MTL3000 Series units:  
Part Nos. FUS50, FUS63, FUS80, FUS100, FUS125, FUS200, FUS500 (values 50mA, 63mA, 80mA, 125mA, 200mA, 500mA)

## TO ORDER:

Specify THR2, SMC2 and quantity required. For all other accessories refer to MTL700 Series.