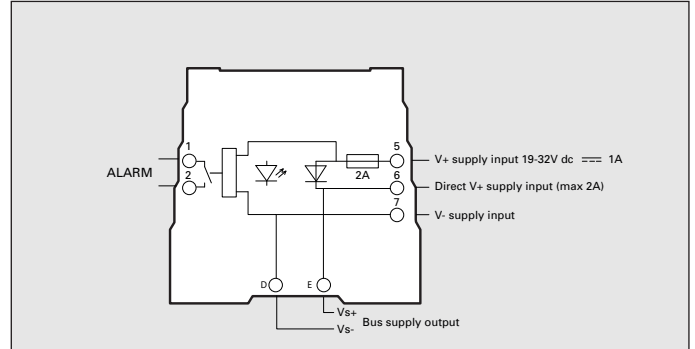


MTL1991 Power Feed and Alarm Module

MTL1000 power bus module

The **MTL1991** provides the power supply feed to the power bus for the **MTL1000** series isolators. A relay alarm contact and LED indicate power supply status. 2 modules may be used to provide a redundant power feed to the power bus when feeding power via terminal 5 with a maximum load of 1A. For single power feed use terminal 6, the maximum recommended load is 2A.



Terminals	Function
1	Alarm
2	Alarm
5	Power supply input +ve
6	Power bus repeat +ve
7	Power supply input -ve
D	Power bus -ve
E	Power bus +ve

SPECIFICATION see also common specification

Power supply voltage	19V to 32V DC
Relay contact rating	40V 0.5A max resistive
Maximum power dissipation	<1W (power via terminal 5) <0.3W (power via terminal 6)