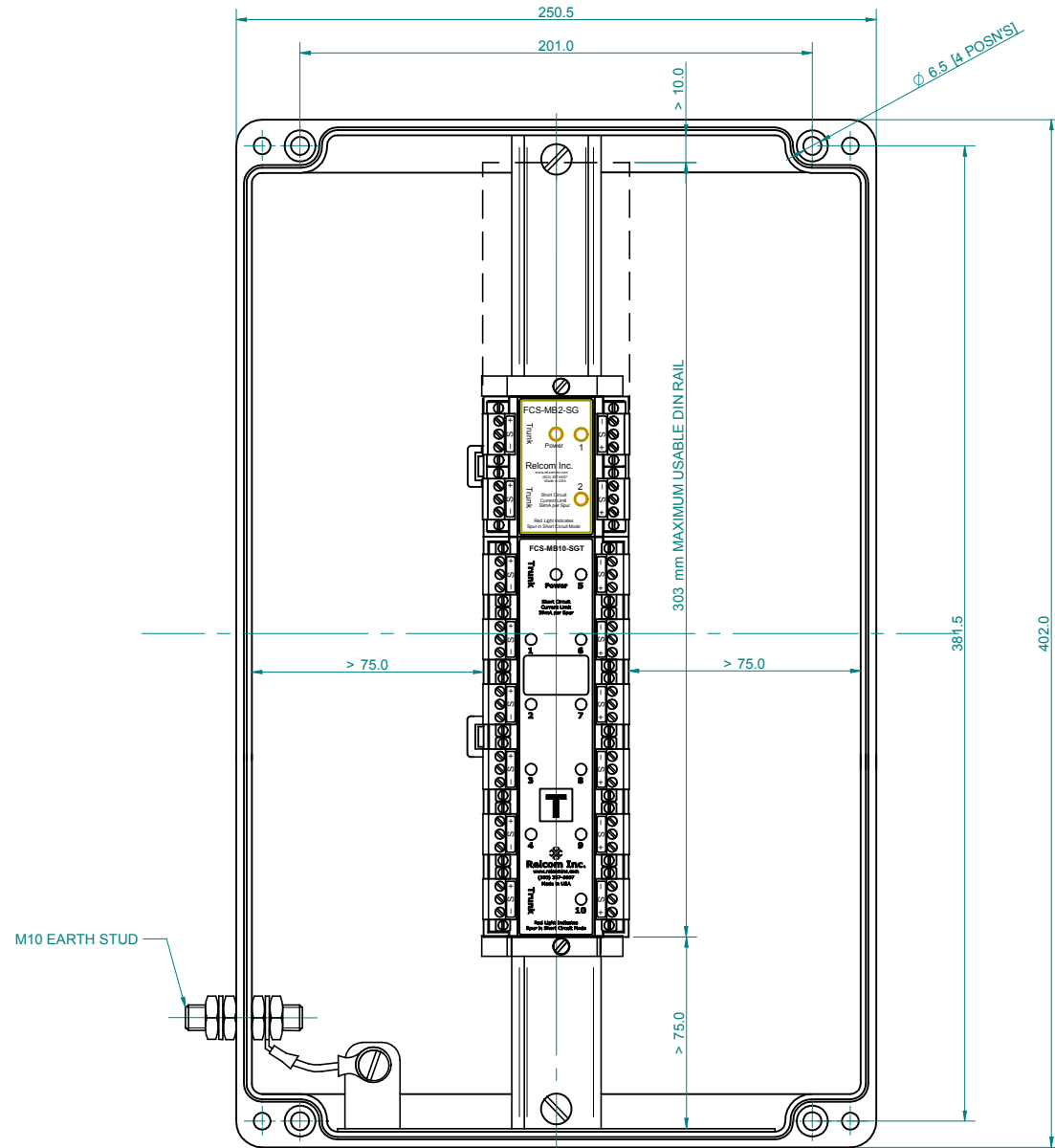


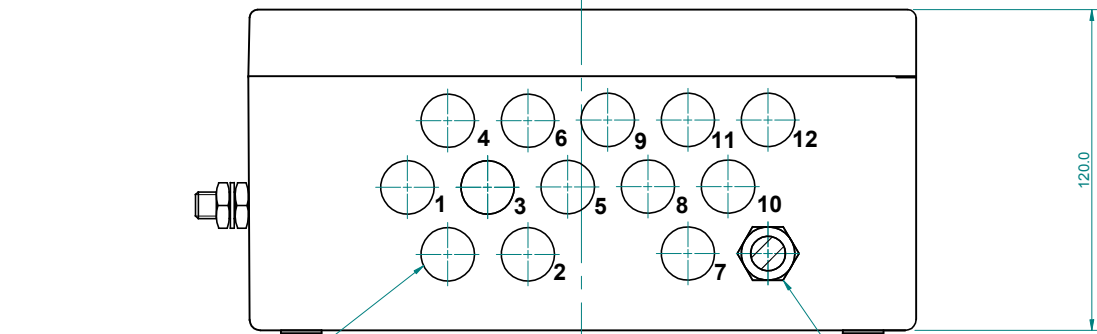
THIRD ANGLE PROJECTION

DO NOT SCALE

DIMENSIONS IN mm

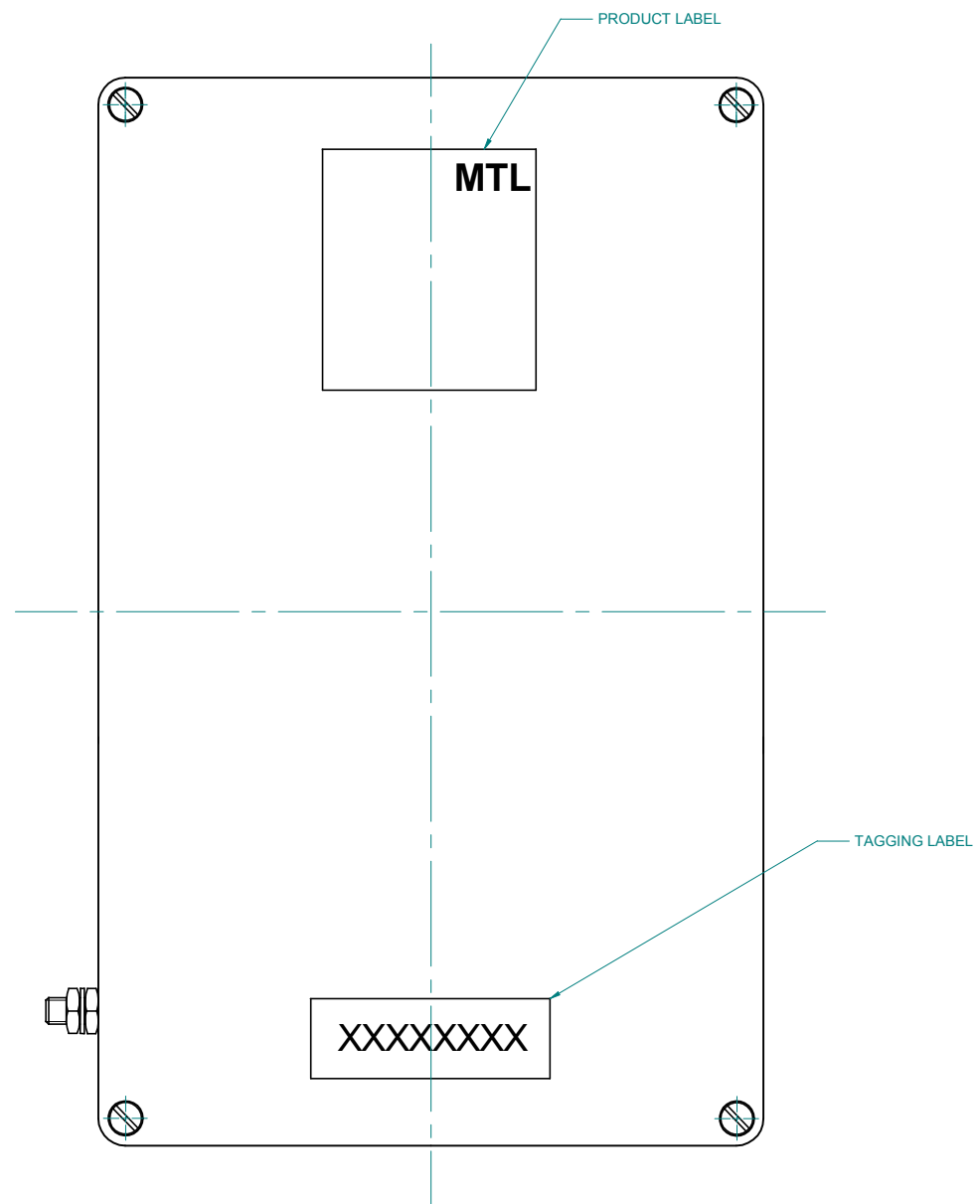


VIEW WITH LID REMOVED



RECOMMENDED TRUNK POSITION  
SEE NOTE 4

VIEW SHOWING POSITION OF CABLE GLAND AND BREATHER.  
GLAND NOT SHOWN FOR CLARITY



NOTES:

1. EEx e TYPE IP66 POLYESTER ENCLOSURE, WITH SCREW FIX LID
2. INTERNAL/ EXTERNAL M10 EARTH STUD FITTED.
3. 1 x DIN RAIL TO EN50022 35x7.5 "T" SECTION, MOUNTED VERTICALLY. RAIL FITTED WITH 2 END STOPS.
4. 14 x M20 HOLES DRILLED EQUI-SPACED ON BOTTOM, IP66 EEx e CERTIFIED BREATHER PLUG FITTED IN POSITION SHOWN. 13 x M20 HOLES FOR 1 TRUNK IN FOR 2-PAIR CABLE & 12 SPUR CONNECTIONS OUT.
5. PART NUMBERS ENDING FCS-8512-XXX-01 TO FCS-8512-XXX-12 INDICATES QUANTITY OF SPUR GLANDS FITTED. ALL UNUSED GLAND POSITIONS ARE FITTED WITH BLANKING PLUGS THAT USE THE SAME MATERIAL AS THE GLANDS. SEE CD-FCS-1000 FOR BLANKING PLUG & GLANDING OPTIONS.
6. PRODUCT LABEL & TAGGING LABEL, [WHERE SPECIFIED], FITTED ON LID. ENCLOSURE PART No. LABEL FITTED INSIDE OF LID
7. JUNCTION BOX DESIGNED FOR MEGABLOCKS WITH 1 DIN RAIL, FOR 1 x 10 WAY & 1 x 2 WAY, OR 2, 4, 8 WAY MEGABLOCKS OR OTHER FIELDBUS WIRING COMPONENTS. SEE DATA SHEET APPLICATION EXAMPLES.

1	10.04	
Iss	Date	Modification

Scale	1:2
Tolerance	N/A

Copyright Reserved  
Written Permission To Copy  
Should Be Obtained

Measurement Technology Ltd  
Power Court, Luton, England



Title	PROCESS JUNCTION BOX, POLYESTER, 12 SPUR
-------	--

Drg No	CD-FCS-8512
Iss.	1