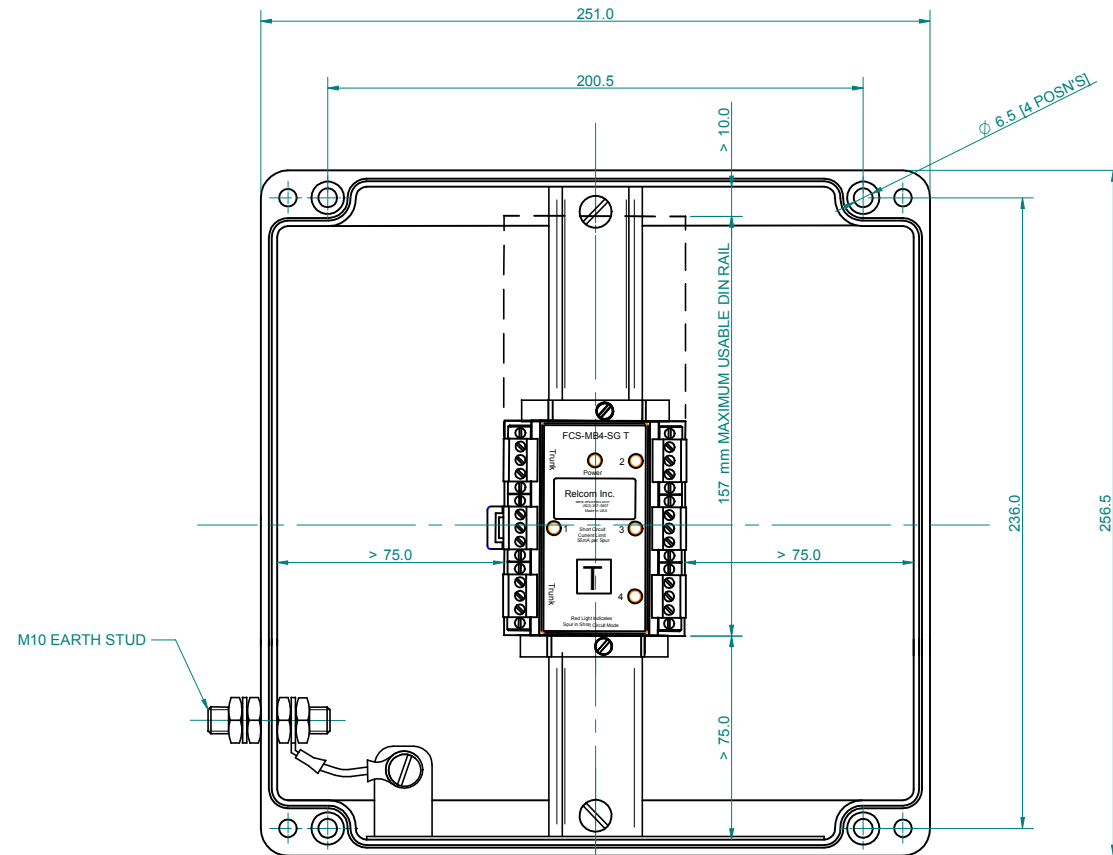


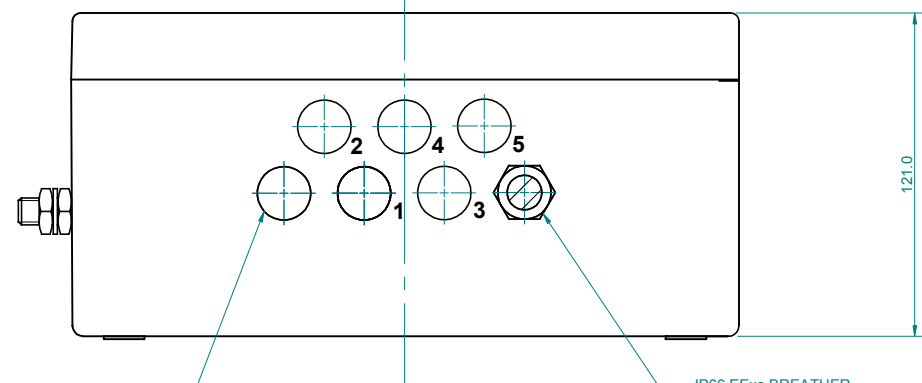
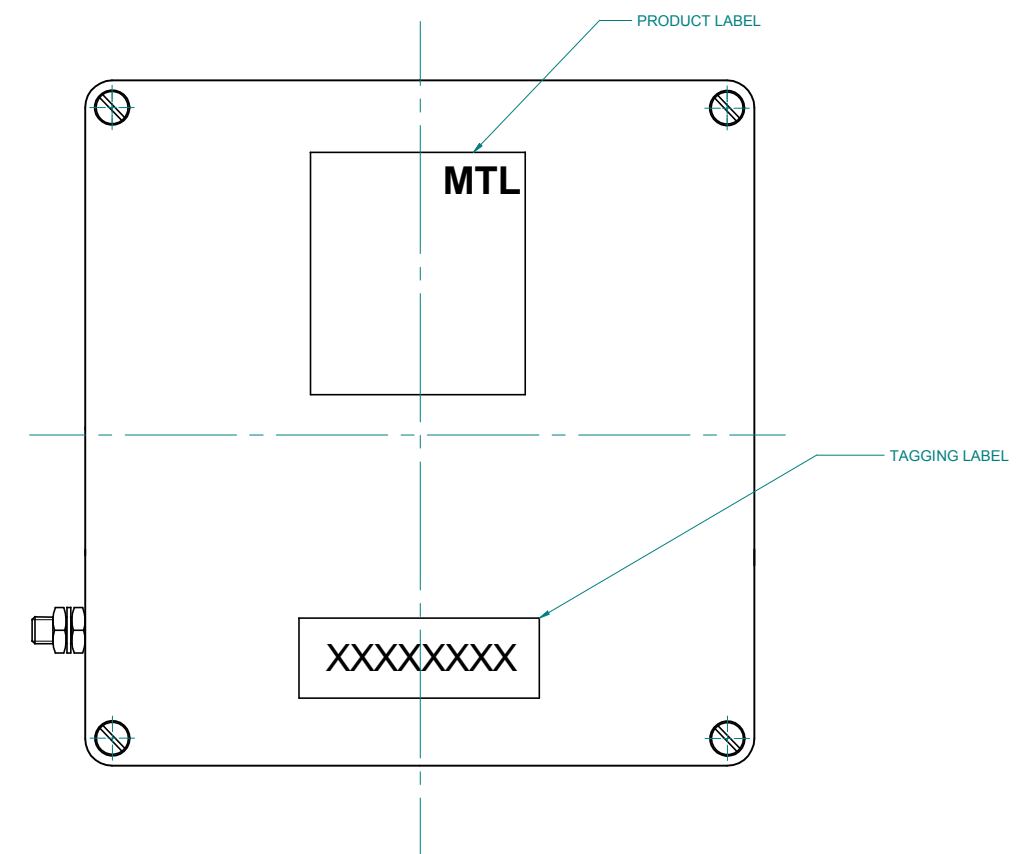
THIRD ANGLE PROJECTION

DO NOT SCALE

DIMENSIONS IN mm



VIEW WITH LID REMOVED



VIEW SHOWING POSITION OF CABLE GLAND AND BREATHER. GLAND NOT SHOWN FOR CLARITY

NOTES:

1. EEx e TYPE IP66 POLYESTER ENCLOSURE, WITH SCREW FIX LID
2. INTERNAL/ EXTERNAL M10 EARTH STUD FITTED.
3. 1 x DIN RAIL TO EN50022 35x7.5 "T" SECTION, MOUNTED VERTICALLY. RAIL FITTED WITH 2 END STOPS.
4. 7 x M20 HOLES DRILLED EQUI-SPACED ON BOTTOM, IP66 EEx e CERTIFIED BREATHER PLUG FITTED IN POSITION SHOWN. 6 x M20 HOLES FOR 1 TRUNK IN FOR 2-PAIR CABLE & 4 SPUR CONNECTIONS OUT.
5. PART NUMBERS ENDING FCS-8504-XXX-01 TO FCS-8504-XXX-05 INDICATES QUANTITY OF SPUR GLANDS FITTED. ALL UNUSED GLAND POSITIONS ARE FITTED WITH BLANKING PLUGS THAT USE THE SAME MATERIAL AS THE GLANDS. SEE CD-FCS-1000 FOR BLANKING PLUG & GLANDING OPTIONS.
6. PRODUCT LABEL & TAGGING LABEL, [WHERE SPECIFIED], FITTED ON LID. ENCLOSURE PART No. LABEL FITTED INSIDE OF LID
7. JUNCTION BOX DESIGNED FOR MEGABLOCKS WITH DIN RAIL, FOR 1 x 4 WAY, OR 2 x 2 WAY MEGABLOCKS OR OTHER FIELDBUS WIRING COMPONENTS. SEE DATA SHEET APPLICATION EXAMPLES.

1	10.04		Scale 1:2	Copyright Reserved Written Permission To Copy Should Be Obtained	Measurement Technology Ltd Power Court, Luton, England	Title PROCESS JUNCTION BOX, POLYESTER, 4 SPUR	Drg No CD-FCS-8504	Iss. 1
Iss	Date	Modification	Tolerance N/A					