

Do Not Scale

Dimensions in mm

Notes:

1. The MTL4854 HART multiplexer plugs directly into a number of alternative backplanes designed specifically for this purpose. These may be connected in a variety of different configurations as shown in Figures 1 & 2. Suffix -XXX on part numbers indicates alternative series or parallel resistor options used for HART communications, e.g. -S200, -P240, etc.
2. In Zone 2 installations, the MTL4854 multiplexers and associated backplanes shall be mounted in an area of not more than Pollution Degree 2 in accordance with IEC 60664-1 and within an enclosure which meets the requirements of IEC/EN60079-0 and IEC/EN60079-15 and is capable of being installed in accordance with IEC/EN60079-14. Where installed in outdoor or potentially wet locations, the enclosure shall, at a minimum, meet the requirements of IP54. Where installed in locations providing adequate protection against the entry of solid foreign objects or water capable of impairing safety, the enclosure shall, at a minimum, meet the requirements of IP4X.
3. The input voltage of the backplane onto which MTL4854 multiplexer(s) are plugged is nominally 24Vdc and shall be limited to 19Vdc to 35Vdc.
4. The MTL4854 multiplexers are approved for mounting in Zone 2 locations. The multiplexers and associated backplanes are certified Ex nA IIC T4 over an ambient temperature range of -40°C to +70°C.
5. The MTL4854 multiplexers and associated backplanes must be installed and used in accordance with their instruction manual(s). No assembly or dismantling of the equipment is possible or necessary. The products are not user serviceable.

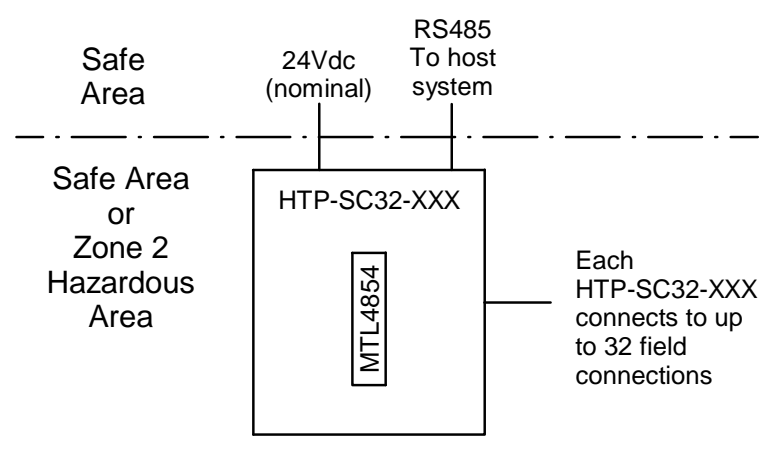


Figure 1 - MTL4854 on HTP-SC32-XXX Backplane
 One MTL4854 Multi-Modem HART Multiplexer mounted on a HTP-SC32-XXX Intergrated HART Connection Unit.

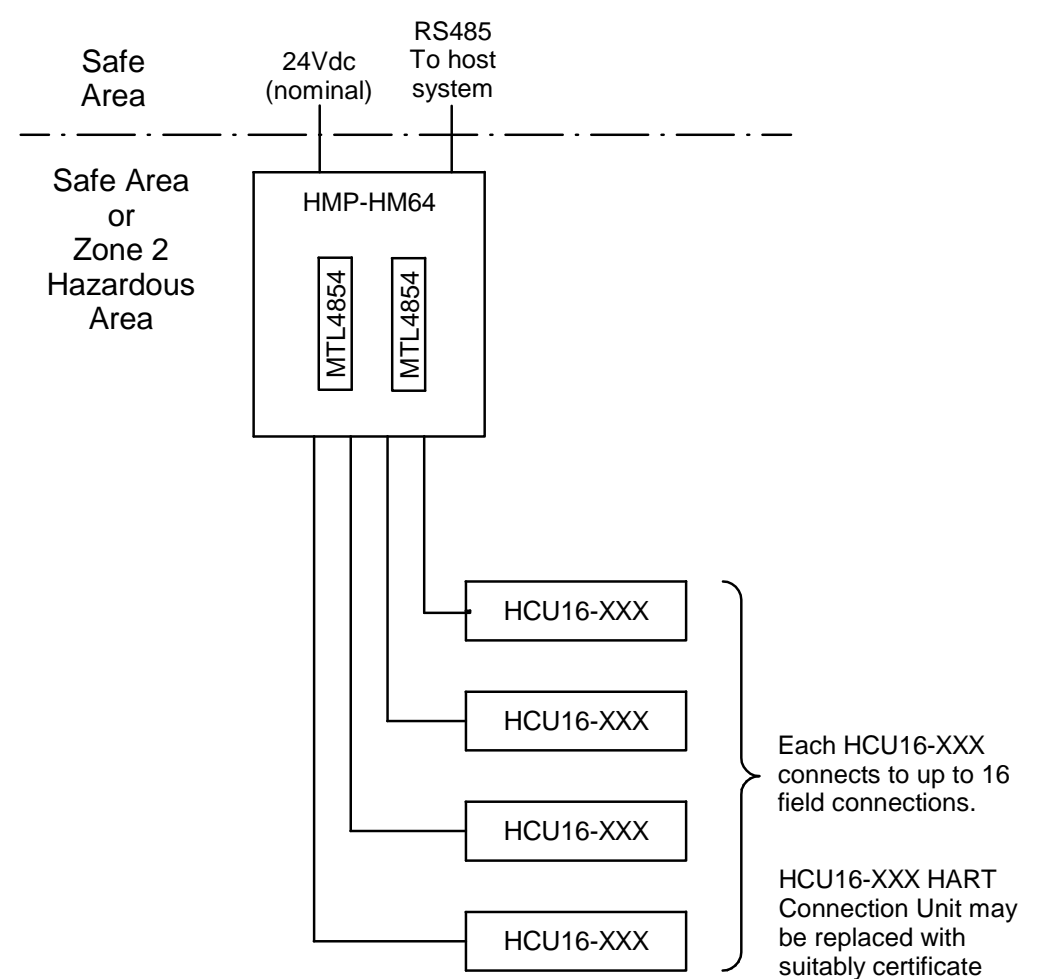



Figure 2 - MTL4854 on HMP-HM64 Backplane
 Up to 2 MTL4854 Multi-Modem HART Multiplexers mounted on a HMP-HM64 64-channel HART Backplane. Up to 4 HCU16-XXX HART Connection Units may be connected to the backplane.

1	1.14		Scale N/A	Copyright Reserved Written Permission To Copy Should Be Obtained	Measurement Technology Ltd, Luton, England		Title MTL4854 SYSTEM DIAGRAM	Drg. No	Iss.
Iss	Date	Modification	Tolerance N/A					SCI-1075	1