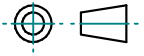


Notes: Third Angle Projection 

Do Not Scale

Dimensions in mm

- The MTL4851 & MTL4852 HART multiplexers plug directly into a number of alternative backplanes designed specifically for this purpose. These may be connected in a variety of different configurations as shown in Figures 1 & 2. Suffix -XXX on part numbers indicates alternative series or parallel resistor options used for HART communications, e.g. -S200, -P240, etc.
- In Zone 2 installations, the MTL4851/2 multiplexers and associated backplanes shall be mounted in an area of not more than Pollution Degree 2 in accordance with IEC 60664-1 and within an enclosure which meets the requirements of IEC/EN60079-0 and IEC/EN60079-15 and is capable of being installed in accordance with IEC/EN60079-14. Where installed in outdoor or potentially wet locations, the enclosure shall, at a minimum, meet the requirements of IP54. Where installed in locations providing adequate protection against the entry of solid foreign objects or water capable of impairing safety, the enclosure shall, at a minimum, meet the requirements of IP4X.
- The input voltage of the backplane onto which MTL4851/2 multiplexer(s) are plugged is nominally 24Vdc and shall be limited to 19Vdc to 35Vdc.
- The MTL4851/2 multiplexers are approved for mounting in Zone 2 locations. The multiplexers and associated backplanes are certified Ex nA IIC T4 over an ambient temperature range of -40°C to +70°C.
- The MTL4851/2 multiplexers and associated backplanes must be installed and used in accordance with their instruction manual(s). No assembly or dismantling of the equipment is possible or necessary. The products are not user serviceable.

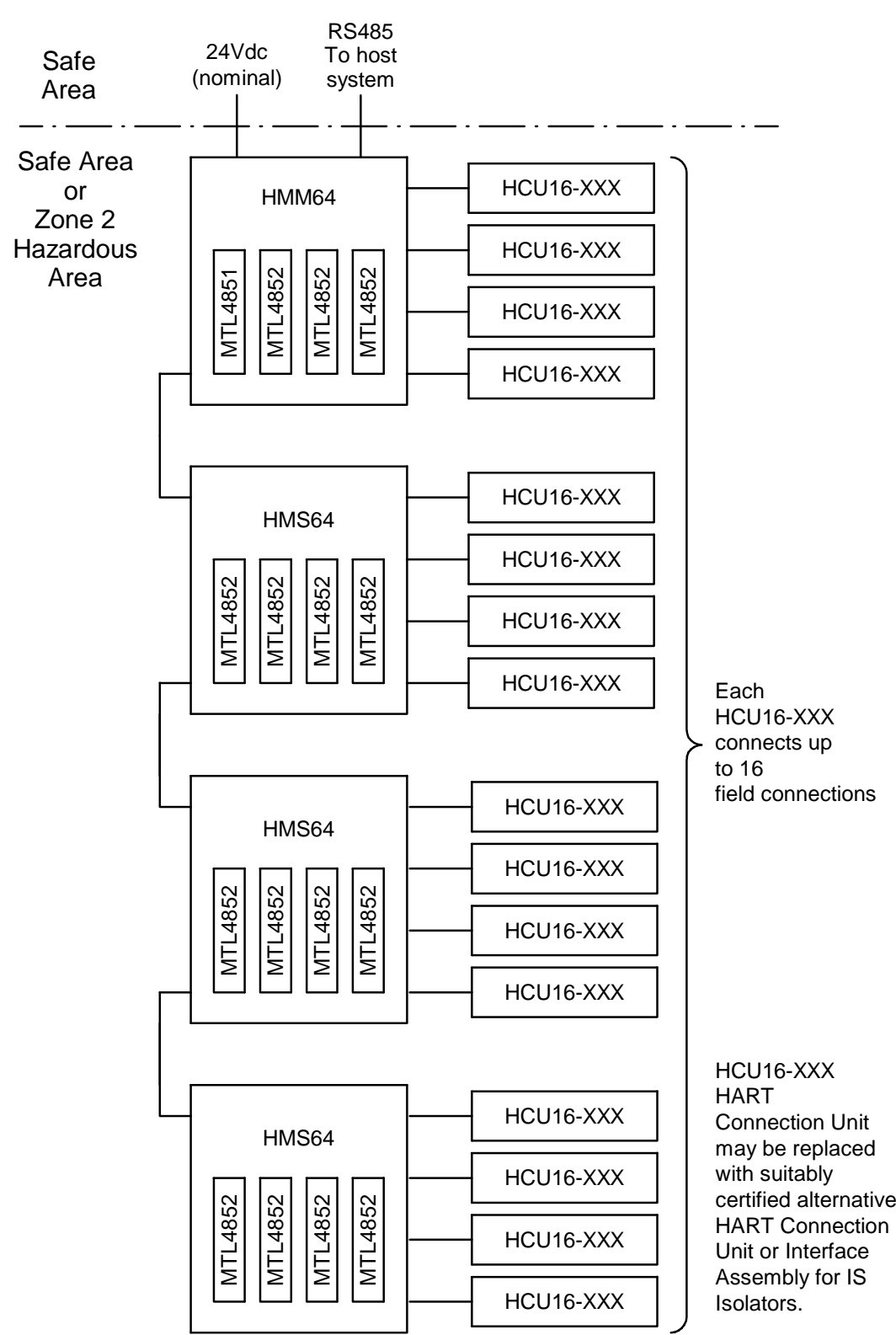


Figure 1 - MTL4851/2 on HMM64 & HMS64 Backplanes
 One MTL4851 HART Multiplexer Master and up to 3 MTL4852 HART Multiplexer Slaves mounted on a HMM64 HART Multiplexer Master Panel Backplane. HMM64 may be connected to up to 3 HMS64 HART Multiplexer Slave Panel Backplanes. HMS64 Backplanes may mount up to 4 MTL4852 HART Multiplexer Slaves on each. Up to 4 HCU16-XXX HART Connection Units may be connected to each HMM64 or HMS64 backplane.

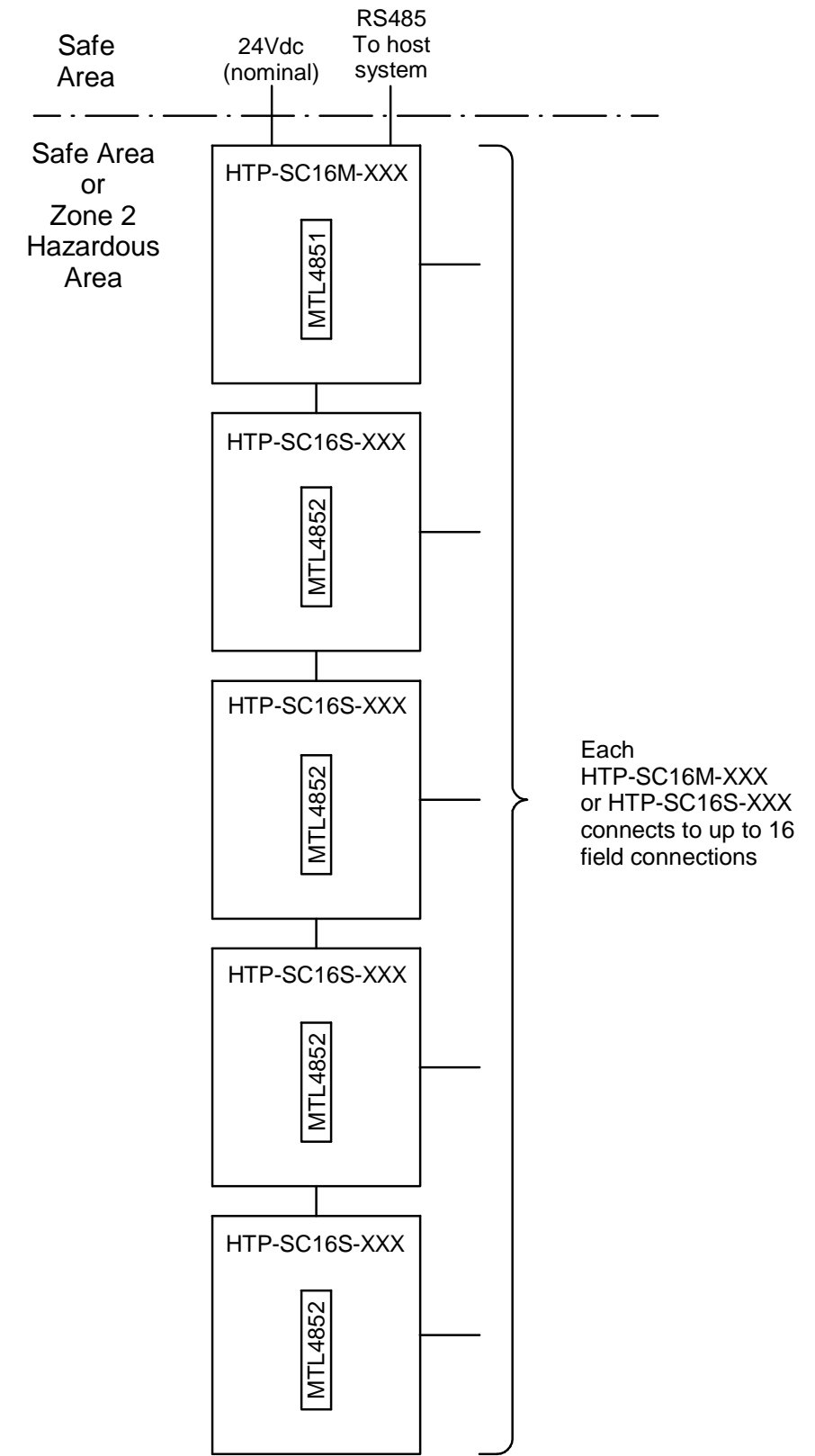



Figure 2 - MTL4851/2 on HTP-SC16M and HTP-SC16S Backplanes
 One MTL4851 HART Multiplexer Master mounted on a HTP-SC16M-XXX HART Multiplexer Master Termination Panel. HTP-SC16M-XXX may be connected to up to 4 HTP-SC-XXX HART Multiplexer Slave Terminator Panels, each mounting an MTL4852 HART Multiplexer Slave.

Sheet 1 of 1

1	1.14		Scale N/A	Copyright Reserved Written Permission To Copy Should Be Obtained	Measurement Technology Ltd, Luton, England		Title MTL4851 & 4852 SYSTEM DIAGRAM	Drg. No SCI-1074	Iss. 1
Iss	Date	Modification	Tolerance N/A						