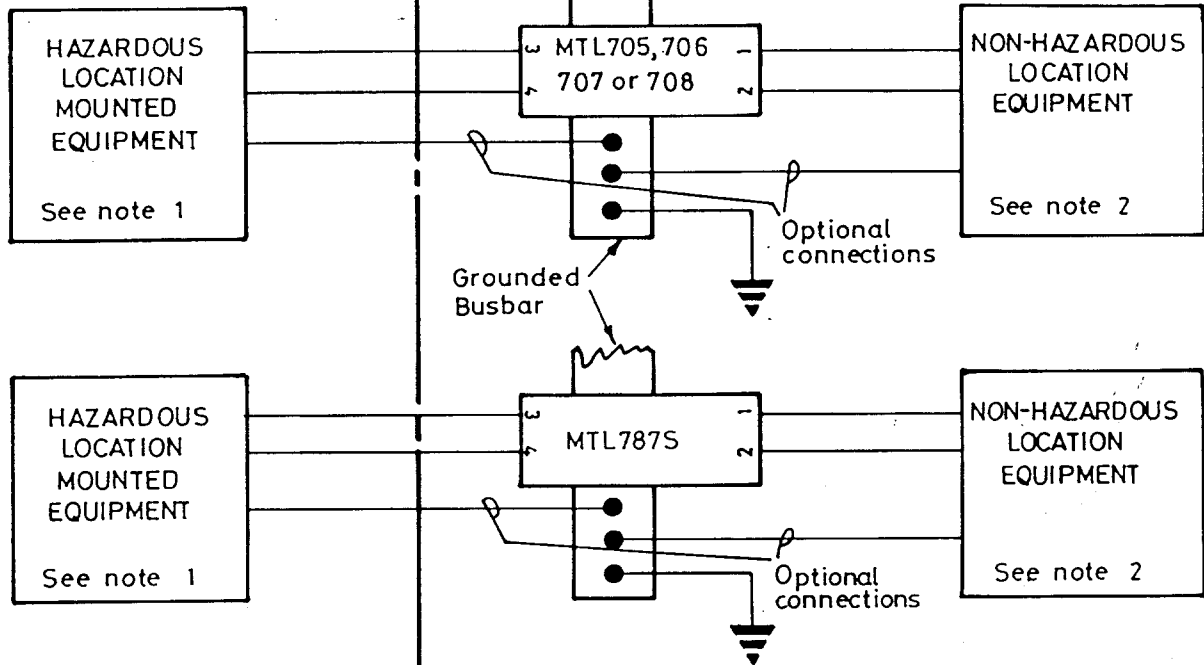


No	Cl	Ckd
Modification		
Iss	Date	Drn

MEASUREMENT TECHNOLOGY LTD
Luton, England
Copyright Reserved - Written Permission
to Copy Should be Obtained



← HAZARDOUS LOCATION → NON HAZARDOUS LOCATION →

Class I Div.1 Groups A,B,C & D
Class II Div.1 Groups E,F & G
Class III

Note 1 The hazardous location equipment may be switches. Other apparatus such as LEDs and non-inductive resistors may be used if the auto-ignition temperature of the hazardous location is greater than T4 (135°C, 275°F). Certified devices with the correct Entity Concept parameters may be used.

Note 2 The non-hazardous location or control room mounted equipment should not use or generate more than 250 volts rms.

Note 3 For guidance on the installation see ANSI/ISA RP 12.6

Note 4 Entity Parameters

Barrier	Term	V _T	I _T mA	Voc V	Isc mA	Ca μF	La mH
705 + 706	3 - GND	-	-	28.1	93.0	0.12	4.0
708	3 - GND	-	-	28.1	93.0	0.12	4.0
707	3 - GND	-	-	28.1	93.0	0.12	4.0
707	4 - GND	-	-	0.6	38.3	1000	22.0
707	3 - 4	28.7	93.0	-	-	0.11	4.0
787S	3 - GND	-	-	28.5	93.0	0.11	4.0
787S	4 - GND	-	-	-1.2	0	1000	1000
787S	3 - 4	29.7	93.5	-	-	0.10	4.0

No	Cl	Ckd
Modification		
Iss	Date	Drn
1	10-87	DRG
2	2-89	DRG
3	5-92	DRG

Certifying Authority: FACTORY MUTUAL

Title: Installation Drawing for the MTL705, MTL706, MTL707, MTL708 and MTL787S

Sheet 1 of 1

Drg. No. SCI-167