



TIIS Certificate Report

APPLICANT	MTL Instruments K.K., Tokyo, Japan	
MANUFACTURER	Power Court, Luton, Bedfordshire, LU1 3JJ, England Measurement Technology Ltd.	
ARTICLE	9122-IS FISCO POWER SUPPLY -IIB/GROUPS C,D	
TYPE NO.	9122 - IS - PS	
CONSTRUCTION	Intrinsically Safe Type (i b)	
PARTICULARS	II B	
	<p>Intrinsically Safe Circuit: Max. Output Voltage; 14.8V Max. Output Current; 359mA Max. Output Power; 5.31W Non-Intrinsically Safe Circuit: Power Input Circuit (1, 2, 3 pin) Power; DC30V Allowable voltage; AC250V 50/60Hz DC250V Host Output Circuit (4, 5, 6 pin) Power; DC32V Allowable voltage; AC250V 50/60Hz DC250V</p> <p>Ambient temperature: 60</p>	
CONDITION		
TYPE TEST NO.	TC17727	
VALIDITY PERIOD	2006/8/16 - 2009/8-15	

This is to certify that the above mentioned type of article has been approved.

2006/8/16

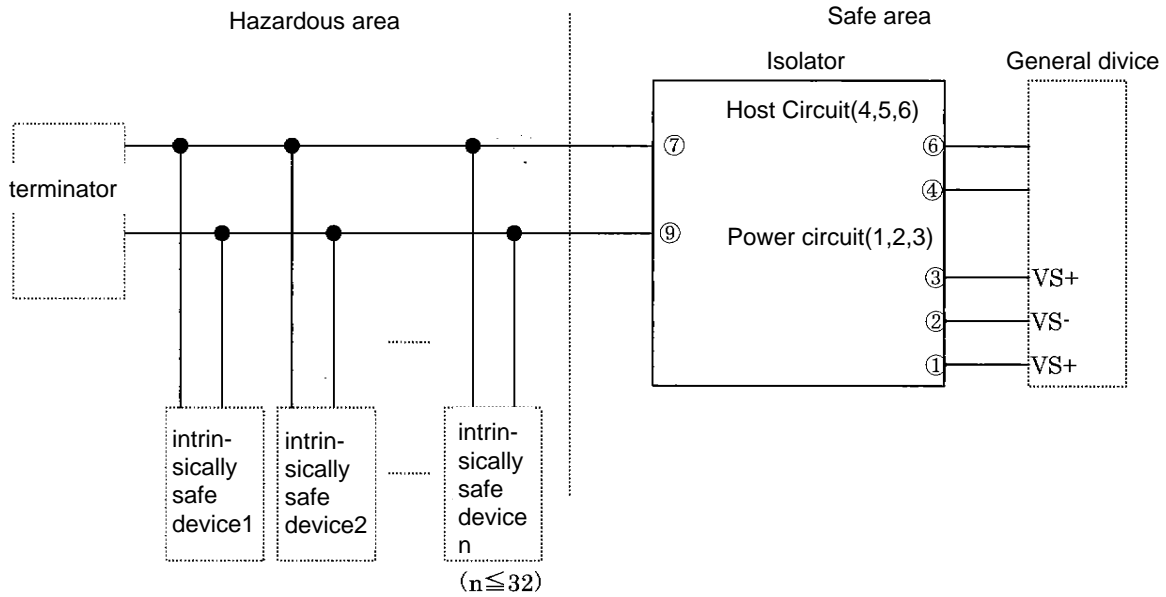




Same type list

Type no.	Rating	Remarks
9122-IS-PS	<p>Intrinsically Safe Circuit: Max. Output Voltage 14.8V Max. Output Current 359mA Max. Output Power 5.31W</p> <p>Non-Intrinsically Safe Circuit: Power Input Circuit (1, 2, 3 pin) DC30V Allowable Voltage AC250V 50/60Hz DC250V</p> <p>Host Output Circuit (4, 5, 6 pin) DC32V Allowable Voltage AC250V 50/60Hz DC250V</p> <p>Ambient temperature 60</p>	<div style="border: 1px solid black; padding: 5px; width: fit-content;"> screw type terminal block </div>
9122-IS-PC	<p>Intrinsically Safe Circuit: Max. Output Voltage 14.8V Max. Output Current 359mA Max. Output Power 5.31W</p> <p>Non-Intrinsically Safe Circuit: Power Input Circuit (1, 2, 3 pin) DC30V Allowable Voltage AC250V 50/60Hz DC250V</p> <p>Host Output Circuit (4, 5, 6 pin) DC32V Allowable Voltage AC250V 50/60Hz DC250V</p> <p>Ambient temperature 60</p>	spring type terminal block

System component drawing



(1) Rating

U_i 17.5V, I_i 380mA, P_i 5.32W

(a) Intrinsically safe equipment
C_i 5nF Li 10 μH

(b) Terminator
Li 10 μH
C_i ignorable value

(2) Construction and Group

Construction ib Group IIA or IIB



• Isolator Rating

Intrinsically Safe Circuit:
Max. Output Voltage 14.8V
Max. Output Current 359mA
Max. Output Power 5.31W

• External wiring cable specification

Resistance(R_c):15 /km - 150 /km
Inductance: 0.4mH/km - 1mH/km
Capacitance: 45nF/km - 200nF/km
Spur length: less than 60m
Length overall: 1km

	MTL Instruments K.K
Title System component drawing	Drg.No. SCI9122