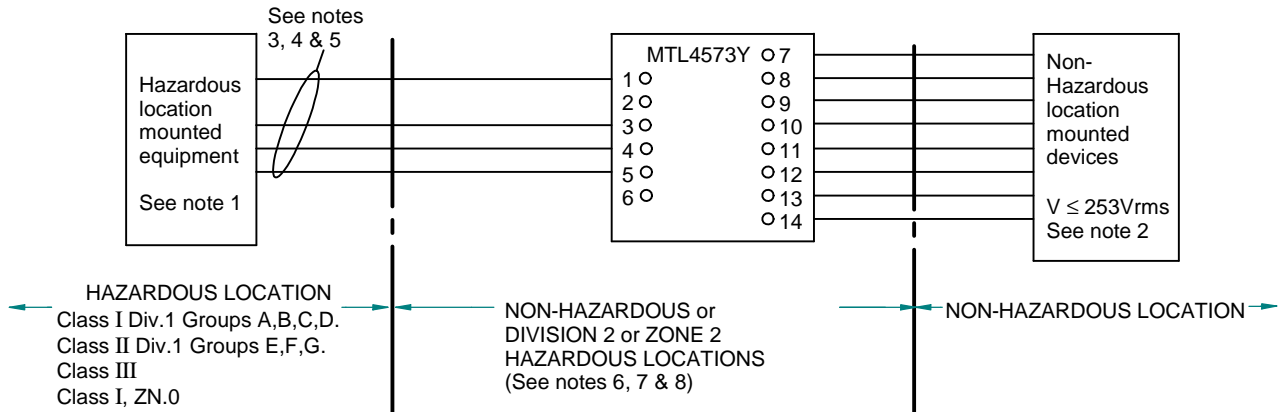




Iss	Date	Drn	Modification
1	2.17	SB	

MEASUREMENT TECHNOLOGY LTD  
Luton, England  
Copyright Reserved - Written Permission  
to Copy Should be Obtained



**Note 1**

The Hazardous location equipment may be switches or thermocouples. Other apparatus such as RTD's, LEDs and non-inductive resistors may also be used if the auto-ignition temperatures of the hazardous location is greater than T4 (275°F or 135°C). Certified devices with correct Entity Concept parameters may also be used. For installation in Canada, this equipment must be FM approved for Canada or CSA certified.

**Note 2**

The Non-Hazardous Location (or Control room) equipment must not generate or use more than 253Vrms or Vdc.

**Note 3**

For guidance on the installation see ANSI/ISA RP 12.06.

**Note 4**

Entity parameters for the terminals 1 to 6 of the MTL4573Y are as follows :-

$V_o \leq 6.6V$   $I_o \leq 76mA$

Groups A and B, IIC	$C_a \leq 22.0\mu F$	$L_a \leq 6.42mH$
Groups C and E, IIB	$C_a \leq 500.0\mu F$	$L_a \leq 25.6mH$
Groups D,F and G, IIA	$C_a \leq 1000.0\mu F$	$L_a \leq 33.0mH$

**Note 5**

Entity parameters of programming/configuration port of 4573Y are as follows :-

$V_{oc} \leq 8V$   $I_{sc} \leq 14.6mA$

Groups A and B, IIC	$C_a \leq 0.367\mu F$	$L_a \leq 153mH$
Groups C and E, IIB	$C_a \leq 2.15\mu F$	$L_a \leq 591mH$
Groups D,F and G, IIA	$C_a \leq 8.8\mu F$	$L_a \leq 1000mH$

**Note 6**

The MTL4573Y is Associated apparatus and when mounted in the appropriate enclosure (see notes 7 and 8) is suitable for the following areas:

- Non - Hazardous Locations
- Class I Division 2 Groups A,B,C and D Hazardous Locations
- Class I Zone 2 Hazardous Locations

**Note 7**

Associated Apparatus must be installed in accordance with the National Electrical Code in an enclosure meeting the requirements of ANSI/ISA 61010-1.

**Note 8**

For use in Division 2 or Zone 2 Hazardous Locations, the MTL4573Y must be installed on Factory Mutual Research Corporation Approved Backplanes.

When the MTL4573Y is installed in Division 2 Hazardous Locations, a warning label must be prominently affixed near the unit(s) which warns that the MTL4573Y must not be removed or inserted unless the area is known to be non-hazardous.

**Note 9**

Installations in Canada must comply with Canadian Electrical Code.

System Certificate No:	Drn. By N/A	Scale N/A
Certifying Authority: Factory Mutual	Drn. Date 2.17	Sheet 1 of 1
Title Installation Drawing for the MTL4573Y	Drg. No. SCI-1081	