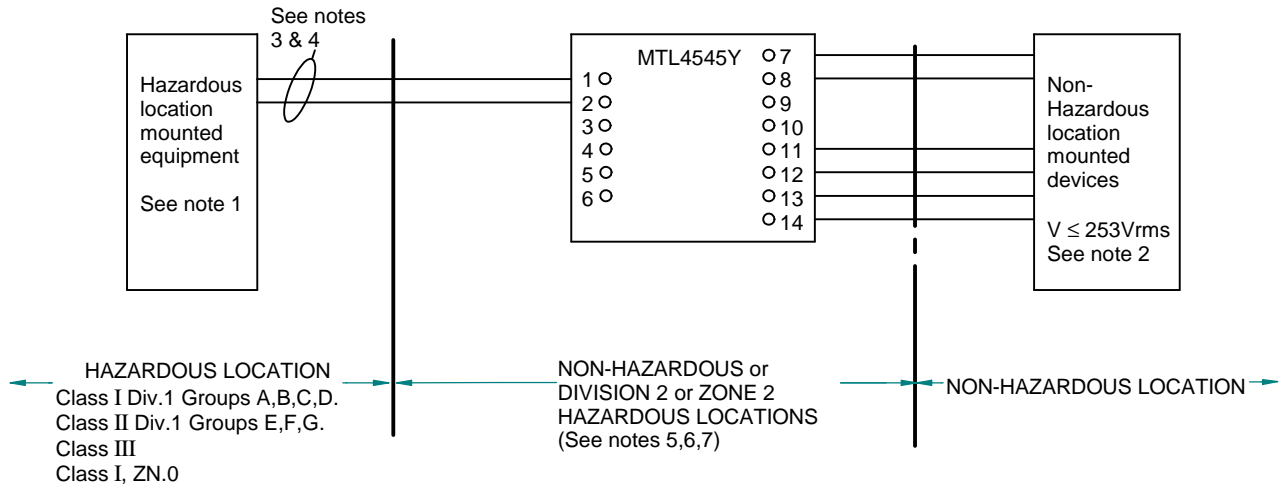


| Iss | Date | Drn | Modification |
|-----|------|-----|--------------|
| 1   | 2.17 | SB  |              |

MEASUREMENT TECHNOLOGY LTD  
Luton, England  
Copyright Reserved - Written Permission  
to Copy Should be Obtained



**Note 1**

The Hazardous location equipment may be switches or thermocouples. Other apparatus such as RTD's, LEDs and non-inductive resistors may also be used if the auto-ignition temperature of the hazardous location is greater than T4 (275°F or 135°C). Certified devices with correct Entity Concept parameters may also be used. For installations in Canada, this equipment must be FM approved for Canada or CSA certified.

**Note 2**

The Non-Hazardous Location (or Control room) equipment must not generate or use more than 253Vrms.

**Note 3**

For guidance on the installation see ANSI/ISA RP 12.06.

**Note 4**

Entity Concept Parameters for the MTL4546 terminals 1 and 2 are as follows.

$V_{oc} \leq 28V$     $I_{sc} \leq 93mA$ .

|                       |                       |                   |
|-----------------------|-----------------------|-------------------|
| Groups A and B, IIC   | $C_a \leq 0.083\mu F$ | $L_a \leq 4.2mH$  |
| Groups C and E, IIB   | $C_a \leq 0.65\mu F$  | $L_a \leq 12.6mH$ |
| Groups D,F and G, IIA | $C_a \leq 2.15\mu F$  | $L_a \leq 33.6mH$ |

**Note 5**

The MTL4545Y is Associated Apparatus and when mounted in the appropriate enclosure (see notes 6, 7 and 8) is suitable for installation in the following areas:



- Non - Hazardous Locations
- Class I Division 2 Groups A,B,C and D Hazardous Locations
- Class I Zone 2 Hazardous Locations

**Note 6**

Associated Apparatus must be installed in accordance with the National Electrical Code in an enclosure meeting the requirements of ANSI/ISA 61010-1.

**Note 7**

For use in Division 2 or Zone 2 Hazardous Locations, the MTL4545Y must be installed on Factory Mutual Research Corporation Approved Backplanes.

When the MTL4545Y is installed in Division 2 Hazardous Locations, a warning label must be prominently affixed near the unit(s) which warns that the MTL4545Y must not be removed or inserted unless the area is known to be non-hazardous.

**Note 8**

Installations in Canada must comply with the Canadian Electrical Code.

|  |                      |              |
|--|----------------------|--------------|
| System Certificate No:                         | Drn. By N/A          | Scale N/A    |
| Certifying Authority: Factory Mutual           | Drn. Date 2.17       | Sheet 1 of 1 |
| Title<br>Installation Drawing for the MTL4545Y | Drg. No.<br>SCI-1080 |              |