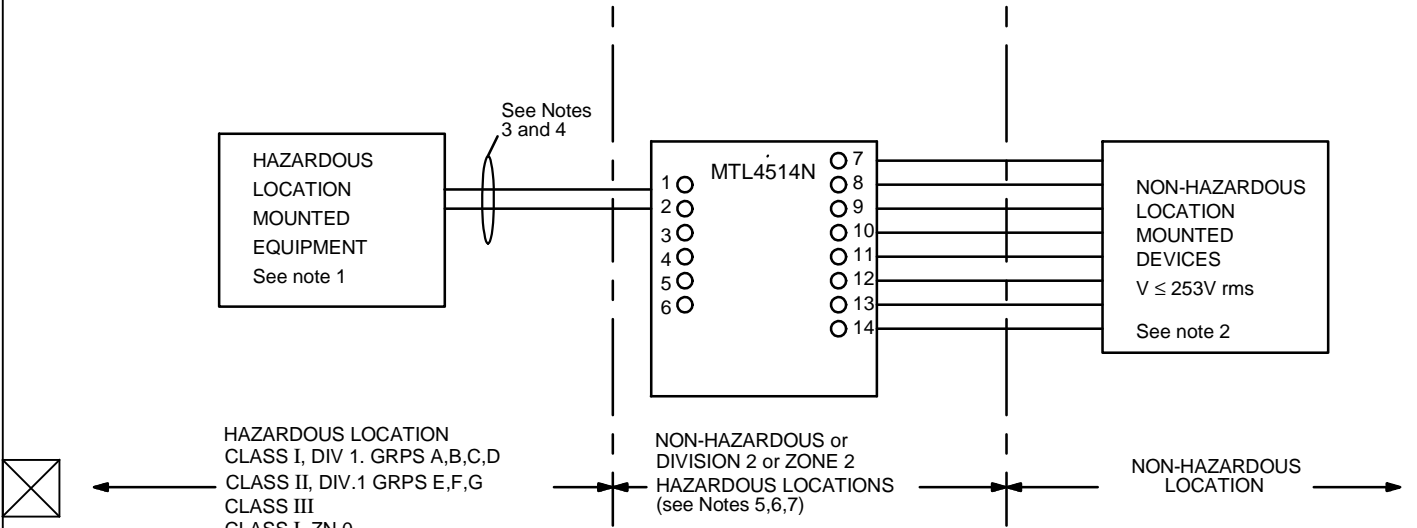


Iss	Date	Drn	Modification
1	2.17	SB	

MEASUREMENT TECHNOLOGY LTD
Luton, England
Copyright Reserved - Written Permission
to Copy Should be Obtained



Note 1

The Hazardous location equipment may be switches or thermocouples. Other apparatus such as RTD's, LEDs and non-inductive resistors may also be used if the auto-ignition temperature of the hazardous location is greater than T4 (275°F or 135°C). Certified devices with correct Entity Concept parameters may also be used. For installation in Canada, this equipment must be FM approved for Canada, or CSA certified.

Note 2

The Non-Hazardous Location (or Control room) equipment must not generate or use more than 253Vrms.

Note 3

For guidance on the installation see ANSI/ISA RP 12.06.

Note 4

Entity Concept Parameters for terminal 1 wrt 2/3 of the MTL4514N are as follows.

Terminal 1 wrt 2/3 $V_{oc} \leq 10.5V$ $I_{sc} \leq 14mA$

Groups A and B, IIC	$C_a \leq 2.41\mu F$	$L_a \leq 175mH$
Groups C and E, IIB	$C_a \leq 16.8\mu F$	$L_a \leq 680mH$
Groups D,F and G, IIA	$C_a \leq 75.0\mu F$	$L_a \leq 1000mH$

Note 5

The MTL4514N is Associated Apparatus and when mounted in the appropriate enclosure (see notes 6 and 7) is suitable for installation in the following areas:

- Non - Hazardous Locations
- Class I Division 2 Groups A,B,C and D Hazardous Locations
- Class I Zone 2 Hazardous Locations

Note 6

Associated Apparatus must be installed in accordance with the National Electrical Code in an enclosure meeting the requirements of ANSI/ISA 61010-1.

Note 7

For use in Division 2 or Zone 2 Hazardous Locations, the MTL4514N must be installed on Factory Mutual Research Corporation Approved Backplanes.

When the MTL4514N is installed in Division 2 Hazardous Locations, a warning label must be prominently affixed near the unit(s) which warns that the MTL4514N must not be removed or inserted unless the area is known to be non-hazardous.

Note 8

Installations in Canada must comply with the Canadian Electrical Code.

System Certificate No:	Drn. By N/A	Scale N/A
Certifying Authority: Factory Mutual	Drn. Date 2.17	Sheet 1 of 1
Title Installation Drawing for the MTL4514N		Drg. No. SCI-1076