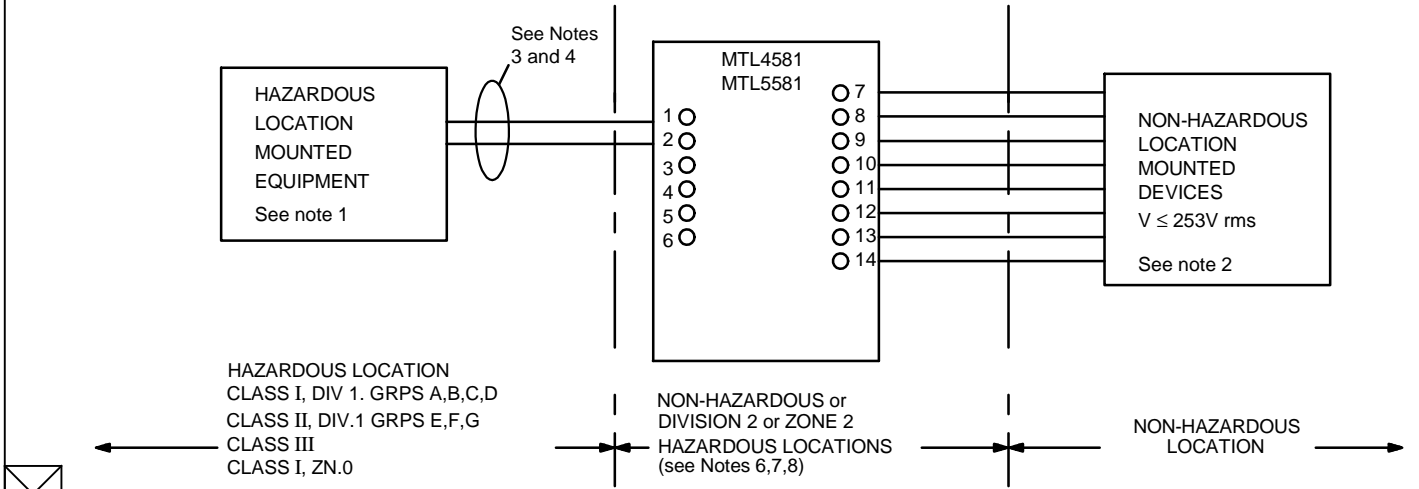


Iss	Date	Drn	Modification
1	7.11	SB	
2	7.16	CMB	Addition of Zone 0 & Zone 2 references.

MEASUREMENT TECHNOLOGY LTD  
Luton, England  
Copyright Reserved - Written Permission  
to Copy Should be Obtained



**Note 1**

The Hazardous location equipment may be switches or thermocouples. Other apparatus such as RTD's, LEDs and non-inductive resistors may also be used if the auto-ignition temperature of the hazardous location is greater than T4 (275°F or 135°C) . Certified devices with correct Entity Concept parameters may also be used.

**Note 2**

The Non-Hazardous Location (or Control room) equipment must not generate or use more than 253Vrms.

**Note 3**

For guidance on the installation see ANSI/ISA RP 12.06.

**Note 4**

Entity Concept Parameters for terminals 1 w.r.t 2 of the MTL4581 and the MTL5581 are as follows :-

$$V_{oc} \leq 1.1V \quad I_{sc} \leq 53mA \quad (\text{All groups}).$$

Groups A, B, IIC	Ca ≤ 100µF	La ≤ 12.3mH
Groups C, E, IIB	Ca ≤ 1000µF	La ≤ 47.3mH
Groups D, F, G, IIA	Ca ≤ 1000µF	La ≤ 104.2mH

**Note 5**

The MTL4581 and the MTL5581 are Associated Apparatus and when mounted in the appropriate enclosure (see notes 7 and 8) is suitable for installation in the following areas:

- Non - Hazardous Locations
- Class I Division 2 Groups A,B,C and D Hazardous Locations
- Class I Zone 2 Hazardous Locations
- Class II, Division 2, Groups F,G Hazardous Locations
- Class III, Division 2, Hazardous Locations

**Note 6**

Associated Apparatus must be installed in accordance with the National Electrical Code in an enclosure meeting the requirements of ANSI/ISA 61010-1.

**Note 7**

Use FMRC Approved or NRTL Listed dust-ignition proof enclosure(s) appropriate for environmental protection in Class II, Division 2, Groups F and G; Class III Division 2 Hazardous Locations.

**Note 8**

For use in Division 2 Hazardous Locations, the MTL4581 or the MTL5581 must be installed on Factory Mutual Research Corporation Approved Backplanes.

When the MTL4581 or the MTL5581 is installed in Division 2 Hazardous Locations, a warning label must be prominently affixed near the unit (s) which warns that the MTL4581 or the MTL5581 must not be removed or inserted unless the area is known to be non-hazardous.

**Note 9**

Installations in Canada must comply with the Canadian Electrical Code.

**Note 10**

For Class 1, Zone 2 installations the apparatus must be installed in an enclosure that provides a minimum protection of IP54 according to ANSI/IEC60529.

**Note 11**

For Zone 2 locations, the external transient protection must be set at 49V or less.

System Certificate No:	Drn. By N/A	Scale N/A
Certifying Authority: Factory Mutual	Drn. Date 7.11	Sheet 1 of 1
Title Installation Drawing for the MTL4581 and MTL5581	Drg. No. SCI-1058	