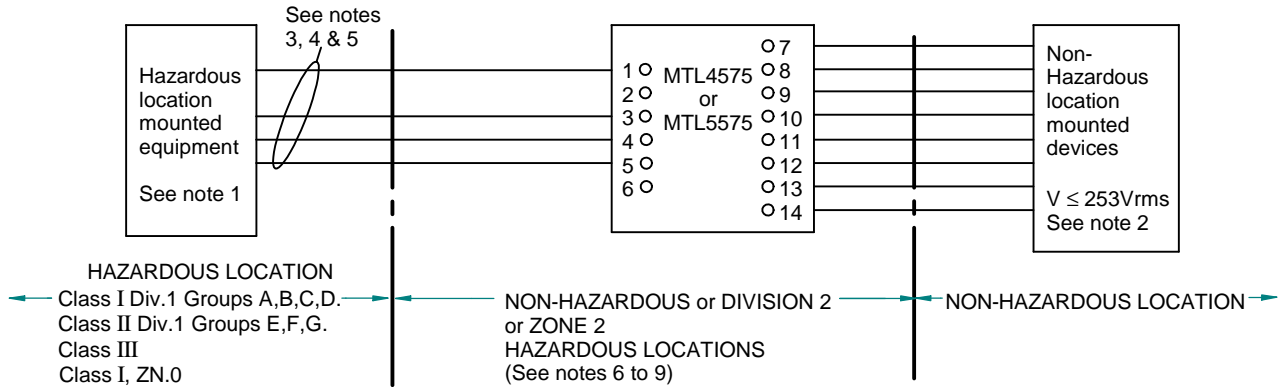


Iss	Date	Drn	Modification
1	6.07	CMB	
2	10.07	CMB	Other modules numbers added to diagram.
3	7.16	CMB	Addition of Zone 0 & Zone 2 references.

MEASUREMENT TECHNOLOGY LTD  
Luton, England  
Copyright Reserved - Written Permission  
to Copy Should be Obtained



**Note 1**

The Hazardous location equipment may be switches or thermocouples. Other apparatus such as RTD's, LEDs and non-inductive resistors may also be used if the auto-ignition temperatures of the hazardous location is greater than T4 (275°F or 135°C). Certified devices with correct Entity Concept parameters may also be used.

**Note 2**

The Non-Hazardous Location (or Control room) equipment must not generate or use more than 253Vrms or Vdc.

**Note 3**

For guidance on the installation see ANSI/ISA RP 12.6.

**Note 4**

Entity parameters for the terminals 1 to 6 of the MTL4575 are as follows :-

$V_o \leq 6.5V$   $I_o \leq 6.6mA$

Groups A and B	Ca ≤ 25.0μF	La ≤ 245mH
Groups C and E	Ca ≤ 570.0μF	La ≤ 853mH
Groups D,F and G	Ca ≤ 1000.0μF	La ≤ 1000mH

**Note 5**

Entity parameters for the terminals 1 and 3 only of the MTL4575 are as follows :-

$V_{oc} \leq 1.2V$   $I_{sc} \leq 3.8mA$

Groups A and B	Ca ≤ 1000μF	La ≤ 3.6mH
Groups C and E	Ca ≤ 1000μF	La ≤ 1000mH
Groups D,F and G	Ca ≤ 1000μF	La ≤ 1000mH

**Note 6**

The MTL4575 is Associated apparatus and when mounted in the appropriate enclosure (see notes 7 and 8) is suitable for the following areas:

- Non - Hazardous Locations
- Class I Division 2 Groups A,B,C and D Hazardous Locations
- Class I Zone 2 Hazardous Locations
- Class II, Division 2, Groups F,G Hazardous Locations
- Class III, Division 2, Hazardous Locations

**Note 7**

Associated Apparatus must be installed in accordance with the National Electrical Code in an enclosure meeting the requirements of ANSI/ISA - S82.

**Note 8**

Use FMRC Approved or NRTL Listed dust ignition proof enclosure(s) appropriate for environmental protection in Class II, Division 2, Groups F and G, Class III Division 2 Hazardous Locations.

**Note 9**

For use in Division 2 Hazardous Locations, the MTL4575 must be installed on Factory Mutual Research Corporation Approved Backplanes.

When the MTL4575 is installed in Division 2 Hazardous Locations, a warning label must be prominently affixed near the unit (s) which warns that the MTL4575 must not be removed or inserted unless the area is known to be non-hazardous.

**Note 10**

Installations in Canada must comply with the Canadian Electrical Code.

System Certificate No:	Drn. By N/A	Scale N/A
Certifying Authority: Factory Mutual	Drn. Date 6.07	Sheet 1 of 1
Title Installation Drawing for the MTL4575 & MTL5575	Drg. No. SCI-1031	