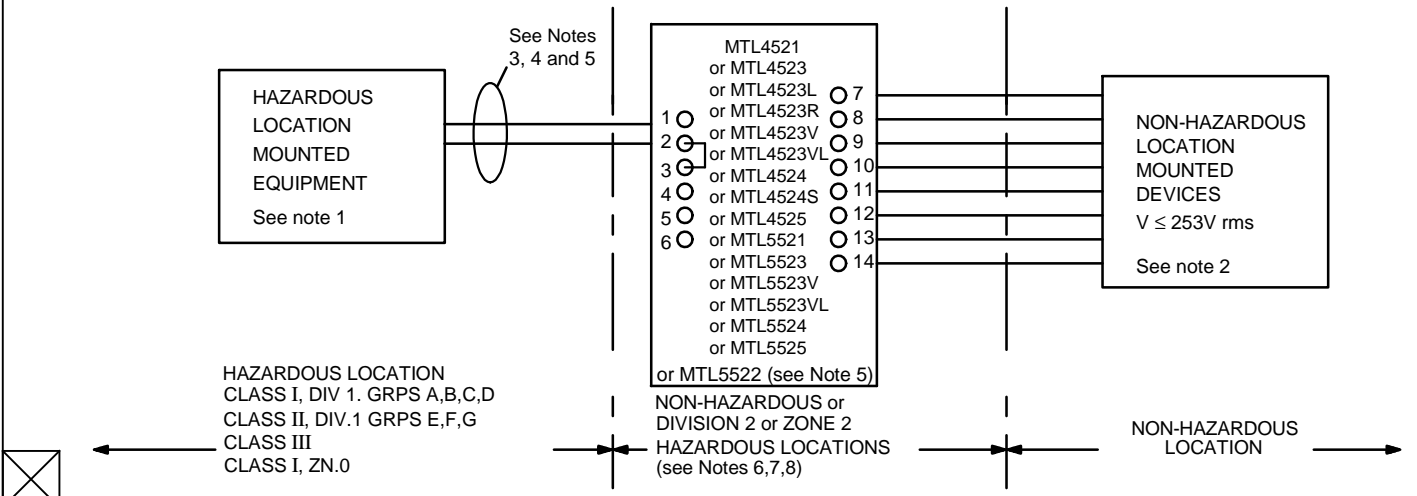


Iss	Date	Drn	Modification
8	7.16	CMB	Addition of Zone 0 & Zone 2 references.

MEASUREMENT TECHNOLOGY LTD
Luton, England
Copyright Reserved - Written Permission
to Copy Should be Obtained



Note 1
The Hazardous location equipment may be switches or thermocouples. Other apparatus such as RTD's, LEDs and non-inductive resistors may also be used if the auto-ignition temperature of the hazardous location is greater than T4 (275°F or 135°C) . Certified devices with correct Entity Concept parameters may also be used.

Note 2
The Non-Hazardous Location (or Control room) equipment must not generate or use more than 253Vrms.

Note 3
For guidance on the installation see ANSI/ISA RP 12.6.

Note 4
Entity Concept Parameters for terminals 1 w.r.t 2/3 of the MTL4521, 4523, 4523L, 4523R, 4523V, 4524, 4524S, 5521, 5523, 5523V, 5524 are as follows :-
Voc ≤ 25.0V Isc ≤ 147mA (All groups).

Groups A and B	Ca ≤ 0.11µF	La ≤ 3mH
Groups C and E	Ca ≤ 0.84µF	La ≤ 9mH
Groups D,F and G	Ca ≤ 2.97µF	La ≤ 24mH

Entity Concept Parameters for terminals 1 w.r.t 2/3 of the MTL4525 and MTL5525 are as follows :- Voc ≤ 25.0V Isc ≤ 83.3mA

Groups A and B	Ca ≤ 0.11µF	La ≤ 6mH
Groups C and E	Ca ≤ 0.84µF	La ≤ 25mH
Groups D,F and G	Ca ≤ 2.97µF	La ≤ 50mH

Entity Concept Parameters for terminals 1 w.r.t 2/3 of the MTL4523VL and MTL5523VL are as follows :- Voc ≤ 25.0V Isc ≤ 108mA (All groups).

Groups A and B	Ca ≤ 0.17µF	La ≤ 3mH
Groups C and E	Ca ≤ 0.51µF	La ≤ 9mH
Groups D,F and G	Ca ≤ 1.36µF	La ≤ 24mH

Note 5
Entity Concept Parameters for terminals 1 w.r.t 2/3 of the MTL5522 are as follows :- Voc ≤ 25.0V Isc ≤ 166mA

Groups C and E	Ca ≤ 0.84µF	La ≤ 5.6mH
Groups D,F and G	Ca ≤ 2.97µF	La ≤ 10.4mH

Note 6
The MTL452* & 552* are Associated Apparatus and when mounted in the appropriate enclosure (see notes 7 and 8) is suitable for installation in the following areas:

- Non - Hazardous Locations
- Class I Division 2 Groups A,B,C and D Hazardous Locations
- Class I Zone 2 Hazardous Locations
- Class II, Division 2, Groups F,G Hazardous Locations
- Class III, Division 2, Hazardous Locations

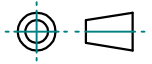
Note 7
Associated Apparatus must be installed in accordance with the National Electrical Code in an enclosure meeting the requirements of ANSI/ISA - S82.

System Certificate No:	Drn. By N/A	Scale N/A
Certifying Authority: Factory Mutual	Drn. Date 11.11	Sheet 1 of 2
Title Installation Drawing for the MTL452X and MTL552X	Drg. No. SCI-1027	

Dimensions in mm

Do Not Scale

Third Angle Projection



Iss	Date	Drn	Modification
7	11.11	CMB	See sheet 1.

MEASUREMENT TECHNOLOGY LTD
 Luton, England
 Copyright Reserved - Written Permission
 to Copy Should be Obtained

Note 8

Use FMRC Approved or NRTL Listed dust-ignition proof enclosure(s) appropriate for environmental protection in Class II, Division 2, Groups F and G Class III Division 2 Hazardous Locations.

Note 9

For use in Division 2 Hazardous Locations, the MTL452* & 552* must be installed on Factory Mutual Research Corporation Approved Backplanes.

When the MTL452* & 552* are installed in Division 2 Hazardous Locations, a warning label must be prominently affixed near the unit (s) which warns that the MTL452* & 552* must not be removed or inserted unless the area is known to be non-hazardous.

Note 10

Installations in Canada must comply with the Canadian Electrical Code.



System Certificate No:	Drn. By N/A	Scale N/A
Certifying Authority: Factory Mutual	Drn. Date 11.11	Sheet 2 of 2
Title Installation Drawing for the MTL452X and MTL552X		Drg. No. SCI-1027