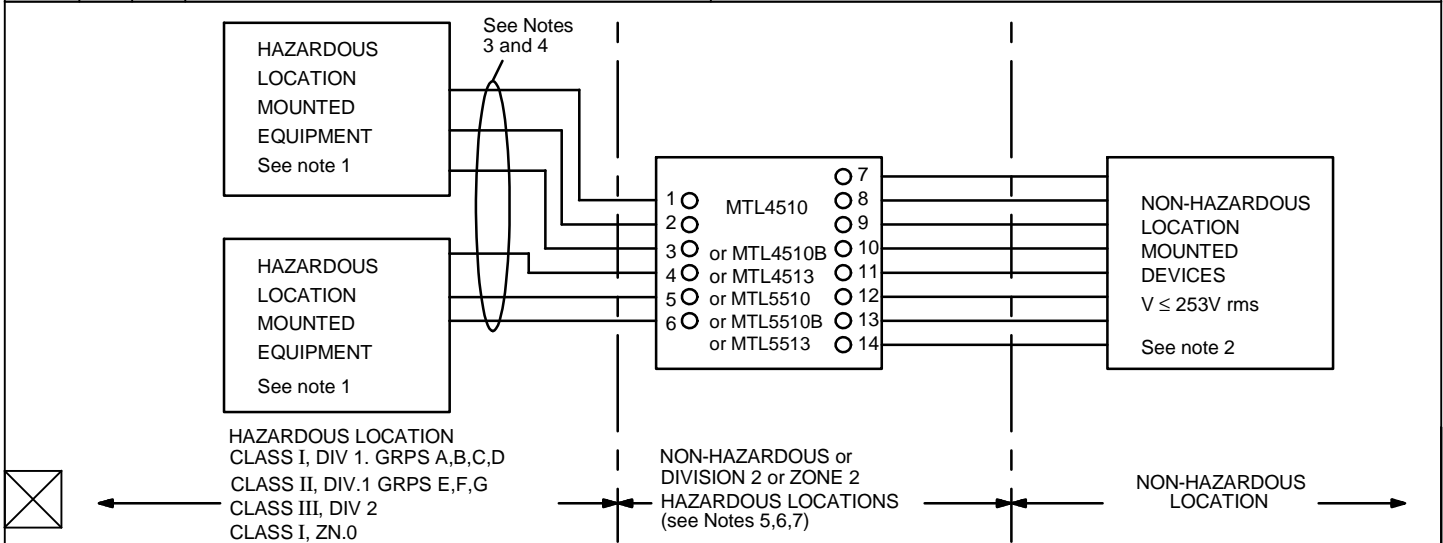


Iss	Date	Drn	Modification
1	6.07	CMB	
2	10.07	CMB	Other modules numbers added to diagram.
3	7.16	CMB	Addition of Zone 0 & Zone 2 references.

MEASUREMENT TECHNOLOGY LTD
Luton, England
Copyright Reserved - Written Permission
to Copy Should be Obtained



Note 1

The Hazardous location equipment may be switches or thermocouples. Other apparatus such as RTD's, LEDs and non-inductive resistors may also be used if the auto-ignition temperature of the hazardous location is greater than T4 (275°F or 135°C). Certified devices with correct Entity Concept parameters may also be used.

Note 2

The Non-Hazardous Location (or Control room) equipment must not generate or use more than 253Vrms.

Note 3

For guidance on the installation see ANSI/ISA RP 12.6.

Note 4

Entity Concept Parameters for each channel of the MTL4510 and MTL4510B are as follows.

Terminal 1/3 wrt 2 Voc ≤ 10.5V
Terminal 4/6 wrt 5 Isc ≤ 14mA

Groups A and B	Ca ≤ 2.4µF	La ≤ 165mH
Groups C and E	Ca ≤ 7.2µF	La ≤ 495mH
Groups D,F and G	Ca ≤ 19.2µF	La ≤ 1320mH

Note 5

The MTL4510 and MTL4510B are Associated Apparatus and when mounted in the appropriate enclosure (see notes 6 and 7) are suitable for installation in the following areas:

- Non - Hazardous Locations
- Class I Division 2 Groups A,B,C and D Hazardous Locations
- Class I Zone 2 Hazardous Locations
- Class II, Division 2, Groups F,G Hazardous Locations
- Class III, Division 2, Hazardous Locations

Note 6

Associated Apparatus must be installed in accordance with the National Electrical Code in an enclosure meeting the requirements of ANSI/ISA - S82.

Note 7

Use FMRC Approved or NRTL Listed dust-ignition proof enclosure(s) appropriate for environmental protection in Class II, Division 2, Groups F and G; Class III Division 2 Hazardous Locations.

Note 8

For use in Division 2 Hazardous Locations, the MTL4510 and MTL4510B must be installed on Factory Mutual Research Corporation Approved Backplanes.

When the MTL4510 and MTL4510B are installed in Division 2 Hazardous Locations, a warning label must be prominently affixed near the unit (s) which warns that the MTL4510 and MTL4510B must not be removed or inserted unless the area is known to be non-hazardous.

Note 9

Installations in Canada must comply with the Canadian Electrical Code.

System Certificate No:	Drn. By N/A	Scale N/A
Certifying Authority: Factory Mutual	Drn. Date 6.07	Sheet 1 of 1
Title Installation Drawing for the MTL4510 and MTL4510B	Drg. No. SCI-1025	