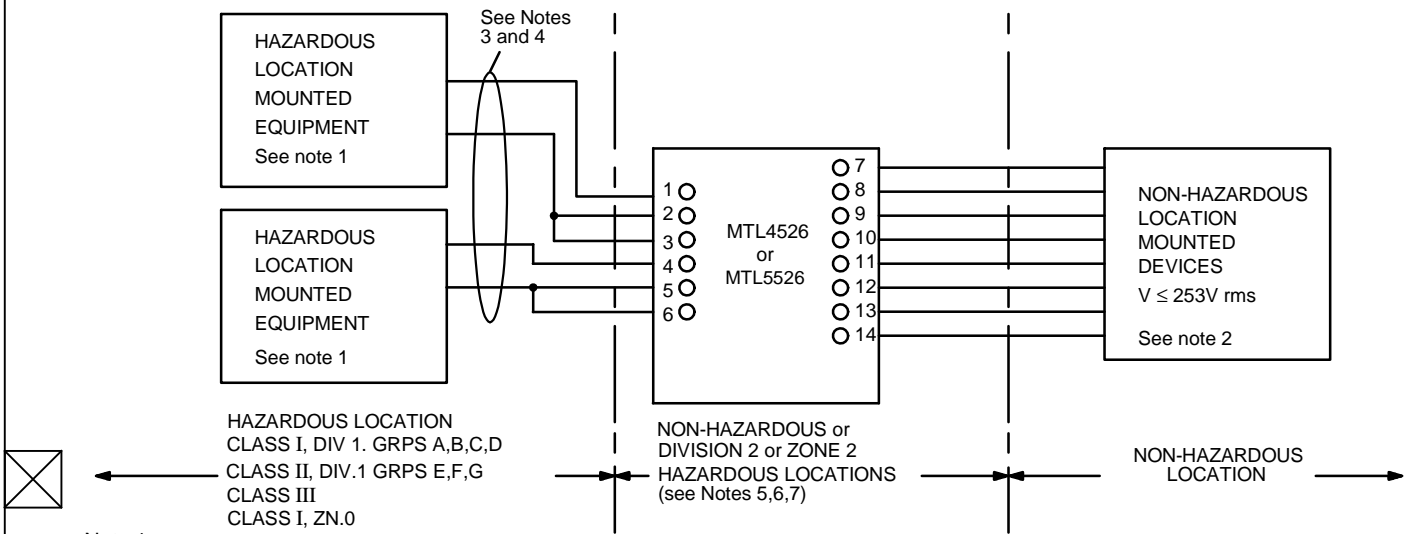


Iss	Date	Drn	Modification
1	1.09	CMB	
2	12.09	CMB	Entity Concept Parameters added to Note 4.
3	7.16	CMB	Addition of Zone 0 & Zone 2 references.

MEASUREMENT TECHNOLOGY LTD  
Luton, England  
Copyright Reserved - Written Permission  
to Copy Should be Obtained



**Note 1**

The Hazardous location equipment may be switches or thermocouples. Other apparatus such as RTD's, LEDs and non-inductive resistors may also be used if the auto-ignition temperature of the hazardous location is greater than T4 (275°F or 135°C). Certified devices with correct Entity Concept parameters may also be used.

**Note 2**

The Non-Hazardous Location (or Control room) equipment must not generate or use more than 253Vrms.

**Note 3**

For guidance on the installation see ANSI/ISA RP 12.06.

**Note 4**

Entity Concept Parameters for each channel, i.e channel 1 (terminals 1 & 2 & 3), channel 2 (terminals 4 & 5 & 6) of the MTL4526 and MTL5526 are as follows:-

$Voc \leq 0V$ ,  $Isc \leq 0mA$ ,  $Ca \leq 0\mu F$ ,  $La \leq 0mH$

(Terminals 1,2 & 3 and 4,5 & 6 are relay switch contacts)

**Note 5**

The MTL4526 and MTL5526 are Associated Apparatus and when mounted in the appropriate enclosure (see notes 6 and 7) are suitable for installation in the following areas:

- Non - Hazardous Locations
- Class I Division 2 Groups A,B,C and D Hazardous Locations
- Class I Zone 2 Hazardous Locations
- Class II, Division 2, Groups F,G Hazardous Locations
- Class III, Division 2, Hazardous Locations

**Note 6**

Associated Apparatus must be installed in accordance with the National Electrical Code in an enclosure meeting the requirements of ANSI/ISA - 61010-1.

**Note 7**

Use FMRC or CSA Approved or NRTL Listed dust-ignition proof enclosure(s) appropriate for environmental protection in Class II, Division 2, Groups F and G; Class III Division 2 Hazardous Locations.

**Note 8**

For use in Division 2 Hazardous Locations, the MTL4526 and MTL5526 must be installed on Factory Mutual Research Corporation Approved Backplanes, or, for Canada, a CSA Approved Backplane. When the MTL4526 and MTL5526 are installed in Division 2 Hazardous Locations, a warning label must be prominently affixed near the unit (s) which warns that the MTL4526 and MTL5526 must not be removed or inserted unless the area is known to be non-hazardous.

**Note 9**

Installations in Canada must comply with the Canadian Electrical Code.

System Certificate No:	Drn. By N/A	Scale N/A
Certifying Authority: Factory Mutual	Drn. Date 12.09	Sheet 1 of 1
Title Installation Drawing for the MTL4526 and MTL5526	Drg. No. SCI-1047	