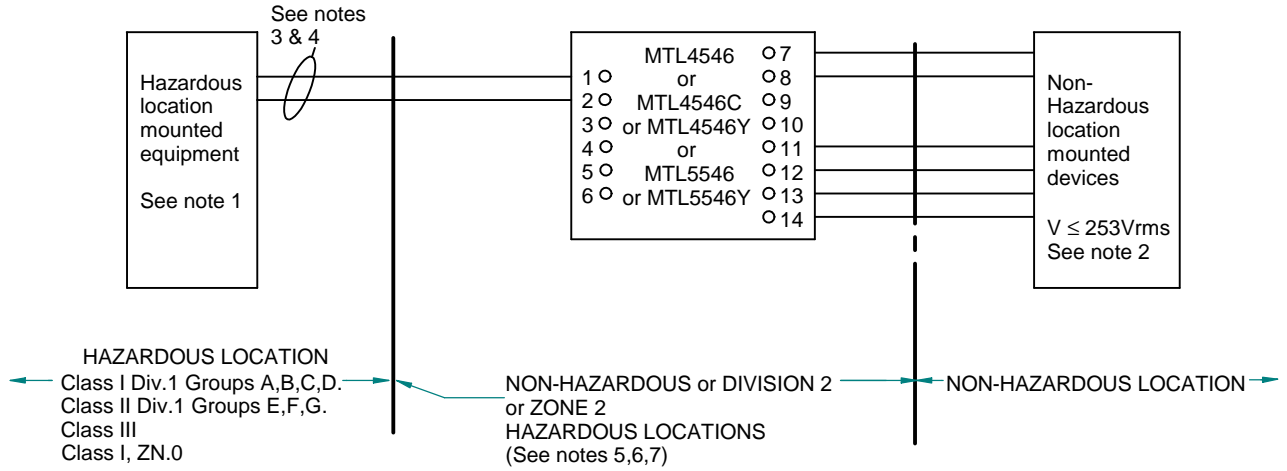




Iss	Date	Drn	Modification
5	7.16	CMB	Addition of Zone 0 & Zone 2 references.

MEASUREMENT TECHNOLOGY LTD  
Luton, England  
Copyright Reserved - Written Permission  
to Copy Should be Obtained



**Note 1**

The Hazardous location equipment may be switches or thermocouples. Other apparatus such as RTD's, LEDs and non-inductive resistors may also be used if the auto-ignition temperature of the hazardous location is greater than T4 (275°F or 135°C). Certified devices with correct Entity Concept parameters may also be used. For installations in Canada, this equipment must be FM approved for Canada or CSA certified.

**Note 2**

The Non-Hazardous Location (or Control room) equipment must not generate or use more than 253Vrms.

**Note 3**

For guidance on the installation see ANSI/ISA RP 12.6.

**Note 4**

Entity Concept Parameters for the MTL4546 terminals 1 and 2, 4 and 5 are as follows.

$V_{oc} \leq 28V$     $I_{sc} \leq 93mA$ .

Groups A and B	$C_a \leq 0.13\mu F$	$L_a \leq 4.2mH$
Groups C and E	$C_a \leq 0.39\mu F$	$L_a \leq 12.6mH$
Groups D,F and G	$C_a \leq 1.04\mu F$	$L_a \leq 33.6mH$

**Note 5**

The MTL4546 is Associated Apparatus and when mounted in the appropriate enclosure (see notes 6, 7 and 8) is suitable for installation in the following areas:

- Non - Hazardous Locations
- Class I Division 2 Groups A,B,C and D Hazardous Locations
- Class I Zone 2 Hazardous Locations
- Class II, Division 2, Groups F,G Hazardous Locations
- Class III, Division 2, Hazardous Locations



**Note 6**

Associated Apparatus must be installed in accordance with the National Electrical Code in an enclosure meeting the requirements of ANSI/ISA - S82.

**Note 7**

Use FMRC Approved or NRTL Listed dust-ignition proof enclosure(s) appropriate for environmental protection in Class II, Division 2, Groups F and G; Class III Division 2 Hazardous Locations.

**Note 8**

For use in Division 2 Hazardous Locations, the MTL4546 must be installed on Factory Mutual Research Corporation Approved Backplanes.

When the MTL4546 is installed in Division 2 Hazardous Locations, a warning label must be prominently affixed near the unit (s) which warns that the MTL4546 must not be removed or inserted unless the area is known to be non-hazardous.

**Note 9**

Where reference is made to MTL4546 in Notes 1 to 8 above, this also includes MTL4546C, MTL4546Y, MTL5546 and MTL5546Y.

**Note 10**

Installations in Canada must comply with the Canadian Electrical Code.

System Certificate No:	Drn. By N/A	Scale N/A
Certifying Authority: Factory Mutual	Drn. Date 7.09	Sheet 1 of 1
Title Installation Drawing for the MTL4546	Drg. No. SCI-1029	