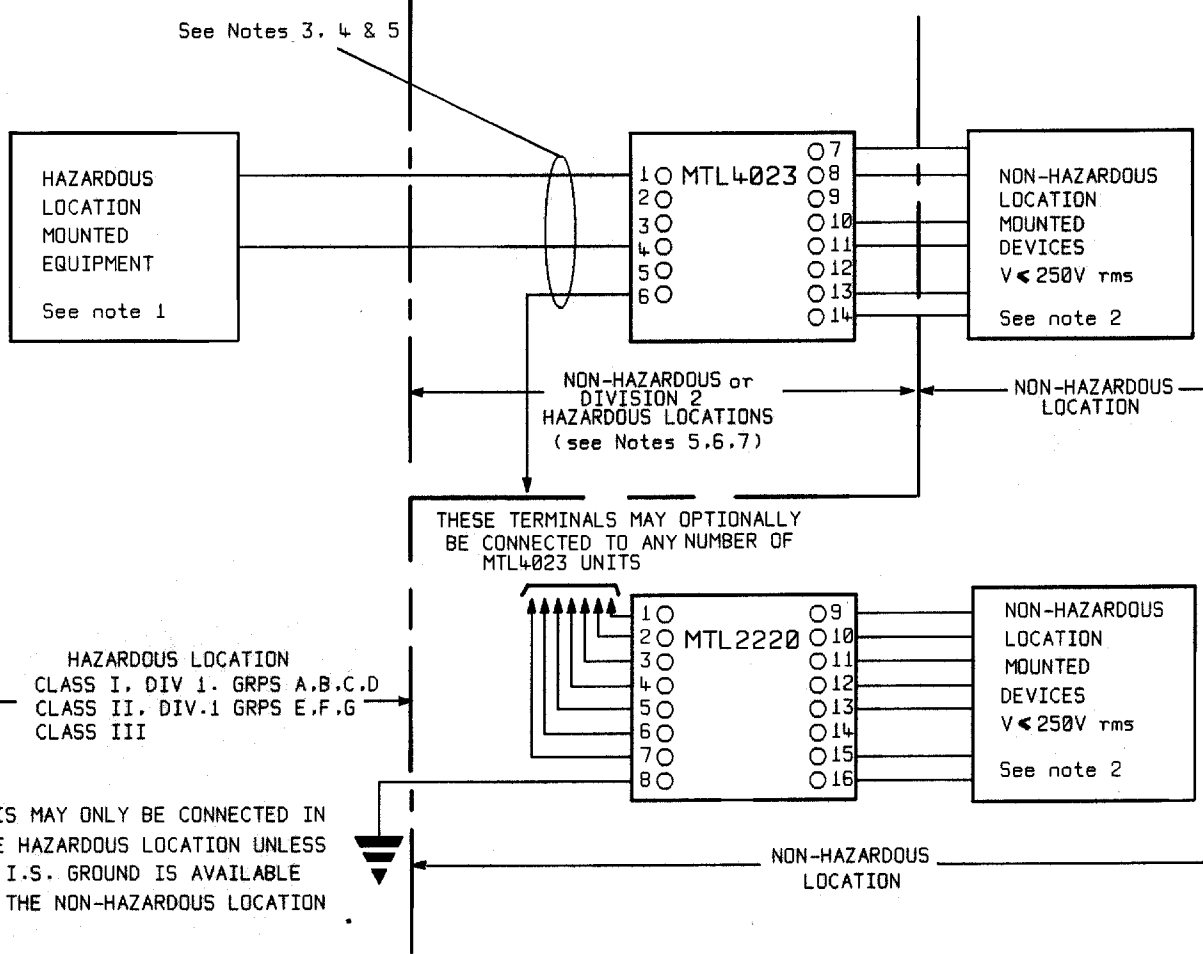


CL	Ckd	
No		
Modification		
Date Drn		
Is		
CL	Ckd	
No		
Modification		
Date Drn		
Is		

MEASUREMENT TECHNOLOGY LTD
 Copyright Reserved - Written Permission
 to Copy Should be Obtained



Note 1 The Hazardous location devices may be switches or thermocouples. Other apparatus such as RTD's LEDs and non-inductive resistors may be used if the auto-ignition temperature of the hazardous location is greater than T4 (275°F or 135°C). Certified devices with the correct Entity Concept parameters may also be used.

Note 2 The Non-Hazardous Location (or Control room) devices must not generate or use more than 250V rms.

Note 3 For guidance on the installation see ANSI/ISA RP12.6.

Certifying Authority : Factory Mutual		Scale N/A
Tolerance unless otherwise stated ± N/A		Sheet 1 of 2
Title Installation Drawing for the MTL4023 Solenoid/ Alarm Driver with Line Fault Detection		Drg. No. SCI-477

Note 4 Entity Parameters for terminals 1 to 4 of the MTL4023 (without the MTL2220) are:

$$V_{oc} \leq 25V$$

$$I_{sc} \leq 147mA.$$

Groups A and B	Ca $\leq 0.17\mu F$	La $\leq 1.6mH$
Groups C and E	Ca $\leq 0.51\mu F$	La $\leq 4.8mH$
Groups D,F and G	Ca $\leq 13.6\mu F$	La $\leq 12.8mH$

With the MTL2220 connected, Entity Parameters for terminals 1 and 4 of the MTL4023 are:-

$$V_t \leq 31.88V$$

$$I_t \leq 147mA.$$

Groups A and B	Ca $\leq 0.09\mu F$	La $\leq 1.6mH$
Groups C and E	Ca $\leq 0.27\mu F$	La $\leq 4.8mH$
Groups D,F and G	Ca $\leq 0.72\mu F$	La $\leq 12.8mH$

Note 5 Associated Apparatus must be installed in accordance with the National Electrical Code in an enclosure meeting the requirements of ANSI/ISA-S82.

Note 6 Use FMRC Approved or NRTL Listed dust-ignition proof enclosure(s) appropriate for environmental protection in class II, Division 2, Groups F and G; Class III Divisions 2 Hazardous Locations.

Note 8 For use in Division Hazardous Locations, the MTL4023 must be installed in Factory Mutual Research Corporation Approved Backplanes.

When the MTL4023 is installed in Division 2 Hazardous Locations, a warning label must be prominently affixed near the unit(s) which warns that the MTL4023 must not be removed or inserted unless the area is known to be non-hazardous.

MEASUREMENT TECHNOLOGY LTD
 Luton, England
 Copyright Reserved - Written Permission
 to Copy Should be Obtained

Iss	Date	Drn	Modifcation	No	Cl	Ckd
1	6.94	ACH				

System Certificate No:	N/A	Scale	N/A
Certifying Authority:	Factory Mutual	Sheet	2 of 2
Title	Installation Drawing for the MTL4023 Solenoid/Alarm Driver with line Fault Detection		SCI-477