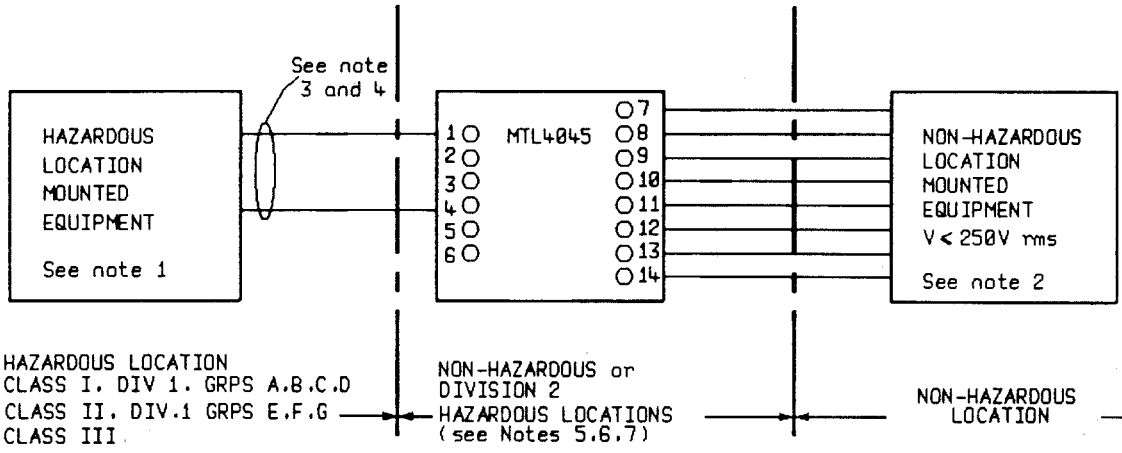


No	CL	Ckd
Modification		
Drn	Date	Iss
MEASUREMENT TECHNOLOGY LTD Luton, England Copyright Reserved - Written Permission to Copy Should be Obtained		
No	CL	Ckd
Modification		
Drn	Date	Iss
1	2.92	



**Note 1** The Hazardous Location equipment may be switches or thermocouples. Other apparatus such as RTDs, LEDs and non-inductive resistors may be used if the autoignition temperatures of the hazardous location is greater than T4 (275°F or 135°C). Certified devices with the correct Entity Concept Parameters may also be used.

**Note 2** The Non-Hazardous Location (or Control Room) equipment must not generate or use more than 250 volts r.m.s.

**Note 3** For guidance on the installation see ANSI/ISA RP12.6.

**Note 4** Entity Concept Parameters for terminals 3 and 4 are as follows.

$$V_{oc} \leq 28V \quad I_{sc} \leq 93mA.$$

Groups A and B	$C_a \leq 0.13\mu F$	$L_a \leq 4.2mH$
Groups C and E	$C_a \leq 0.39\mu F$	$L_a \leq 12.6mH$
Groups D, F and G	$C_a \leq 1.04\mu F$	$L_a \leq 33.6mH$

**Note 5** The MTL4045 is Associated Apparatus and when mounted in the appropriate enclosure (See notes 6 and 7) is suitable for the following areas:-

- Non-Hazardous Locations
- Class I, Division 2, Groups A, B, C, and D Hazardous Locations
- Class II, Division 2, Groups F and G Hazardous Locations
- Class III, Division 2 Hazardous Locations

System Certificate No:	Scale
Certifying Authority: Factory Mutual	Sheet 1 of 2
Title Installation Drawing for the MTL4045	Drg. No. SCI-312

Iss	Date	1	2.92	Drn	ACH	Modification		No	Cl	Ckd	
MEASUREMENT TECHNOLOGY LTD											
Luton, England											
Copyright Reserved - Written Permission											
to Copy Should be Obtained											

Note 6 Associated Apparatus must be installed in accordance with the National Electrical Code in an enclosure meeting the requirements of ANSI/ISA-S82

Note 7 Use FMRC Approved or NRTL Listed dust-ignition proof enclosure(s) appropriate for environmental protection in Class II, Division 2, Groups F and G; Class III Divisions 2 Hazardous Locations.

Note 8 For use in Division 2 Hazardous Locations, the MTL4045 must be installed in Factory Mutual Research Corporation Approved Backplanes.

When the MTL4045 is installed in Division 2 Hazardous Locations, a warning label must be prominently affixed near the unit(s) which warns that the MTL4045 must not be removed or inserted unless the area is known to be non-hazardous.

System Certificate No:		Scale
Certifying Authority: Factory Mutual		Sheet 2 of 2
Title Installation Drawing for the MTL4045		Drg. No. SCI-312