

# MTL4599 DUMMY ISOLATOR

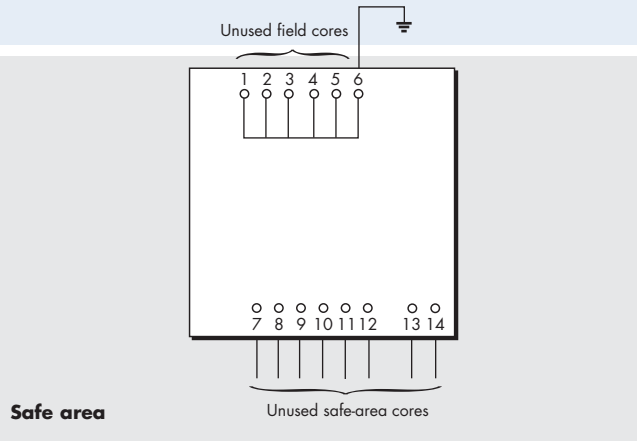
The primary function of the MTL4599, which can be used with all other MTL4500 Series units, is to provide termination and earthing facilities for unused cable cores from hazardous areas.

## SPECIFICATION

See also common specification

**Weight**  
60g

**Hazardous area**



# MTL4599N GENERAL PURPOSE FEED-THROUGH MODULE

The feed-through termination module allows non-IS connections to the MTL4500 backplanes. The wires from the field are connected using screw terminals. Six terminals are provided for each contact of the multiway connector on the backplane. The terminals and cables conform to IS regulations so that non-IS and IS signals can be mixed on the same backplane.

Note: Must not be used with signals >50V or >0.25A

## SPECIFICATION

See also common specification

**Weight**  
60g

**Safe area**

