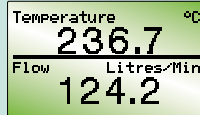
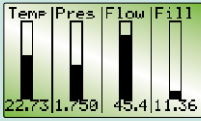


Standard display formats:
1, 2, 3 or 4 variables
some with bargraphs



The BA684DF Fieldbus Display is a general purpose instrument that can display up to eight fieldbus process variables. Nine selectable standard screen formats contain one, two, three or four variables, with units of measurement, tag descriptions and bargraphs on some screens. The use of standard screens simplifies commissioning, but if required dedicated screens tailored to an individual application can be constructed.

FOUNDATION fieldbus™ and Profibus PA versions of the BA684DF are available and have been registered by both organisations. Foundation fieldbus™ version now has selectable function blocks allowing use with most popular system hosts. Configuration files may be downloaded from the appropriate Fieldbus Foundation™ or Profibus sites, or from www.beka.co.uk.

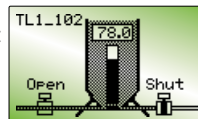
Powered by the fieldbus the BA684DF only requires a 2-wire connection, no additional power supply is required. The high contrast 86 x 45mm liquid crystal display incorporates a green backlight enabling the display to be read in all lighting conditions from full sunlight to total darkness.

Simple commissioning results from the use of standard display formats. Apart from loading the BA684DF configuration files onto the system host and selecting the fieldbus variables to be displayed, no programming is required. Configuration of the BA684DF Fieldbus Display is performed via the fieldbus and the instrument front panel push buttons; simple menus enable the required standard display format to be selected and the units of measurement and tag information for each variable to be entered.

Six optional alarm outputs may be linked to any of the displayed variables. Each isolated single pole solid state output, which will switch a low voltage dc load, may be conditioned as a combined high and low alarm, or as just a high or low alarm.

BA684DF applications vary from a simple single variable display using a standard format, to providing an operator interface with a custom display and control inputs via external buttons.

Custom display screens dedicated to a specific application can be created by writing to the transducer block parameters. Custom displays can contain text in five different font sizes plus lines, boxes, bargraphs, simple graphics and fieldbus process variables. Typical custom display Free programming utilities to assist with screen development are available via the BEKA web site.



The four push buttons on the front of the instrument may be used for returning operator acknowledgments or controls by reading a transducer block parameter. If larger industrial switches are required for these acknowledgements, up to six external push buttons may be connected to the BA684DF. When the external switches are activated, the front panel push buttons may be disabled or operated in parallel with the external switches.

Comprehensive documentation includes Foundation fieldbus™ and Profibus Interface Guides and a Programming Guide that explains how to create custom display screens.

For panel mounting applications see the BA688CF datasheet. This instrument has a similar electrical specification but is housed in a 144 x 72 panel mounting enclosure.

If flammable atmospheres are present the intrinsically safe BA484DF fieldbus display should be used.

BA684DF

Fieldbus display 8 variables

General purpose

- ◆ FOUNDATION fieldbus™ & Profibus PA models
- ◆ Compatible with most system hosts
- ◆ High contrast display with backlight
- ◆ Four operator push buttons & six optional alarm outputs
- ◆ IP66 field mounting GRP enclosure
- ◆ 3 year guarantee



BEKA associates

BEKA associates Ltd. Old Charlton Rd.
Hitchin, Hertfordshire, SG5 2DA, U.K.
Tel. (01462) 438301 Fax (01462) 453971
e-mail sales@beka.co.uk www.beka.co.uk

SPECIFICATION

Display

Type	120 x 64 pixel liquid crystal
Size	86.5mm x 45mm
Backlight	Powered from fieldbus
Screens	
Standard format	1, 2, 3 or 4 variables plus bargraph can include: units of measurement tag information
Custom format	See Programming Guide
Characters	ASCII character set, 5 font sizes each with 4 computer definable soft characters.
Hidden screen	May be written to at any time and displayed when required.

Controls

Front panel	Four push buttons which select the displayed screen. May be used for returning operator acknowledgements by reading transducer block parameters.
External switches	Control may be transferred to six external switches; front panel buttons may be inhibited or operated in parallel. Length 5m max
Switch cable	Length 5m max

Fieldbus communication

Voltage	9 to 32V
Current	25mA
Compliant with Protocol	IEC61158—2 Clauses 11 and 22 FOUNDATION fieldbus™ or Profibus PA
Function blocks	
FOUNDATION fieldbus™	1 x MAO (Multiple Analogue Output)
or	2 x IS (Input Selector)
Profibus PA	8 x AO (Analogue Output)

Selectable on-site

Environmental

Operating temp	-20 to +60°C
Storage temp	-40 to +85°C
Humidity	To 95% @ 40°C
Enclosure	IP66
EMC	In accordance with EU Directive 89/336/EEC
Immunity	BS EN 61326:1998 Operates normally with conducted 3Vrms interference between 0.15kHz and 80MHz, or radiated 10V/m interference between 80MHz and 1GHz.
Emissions	CISPR16-1/2 Class A

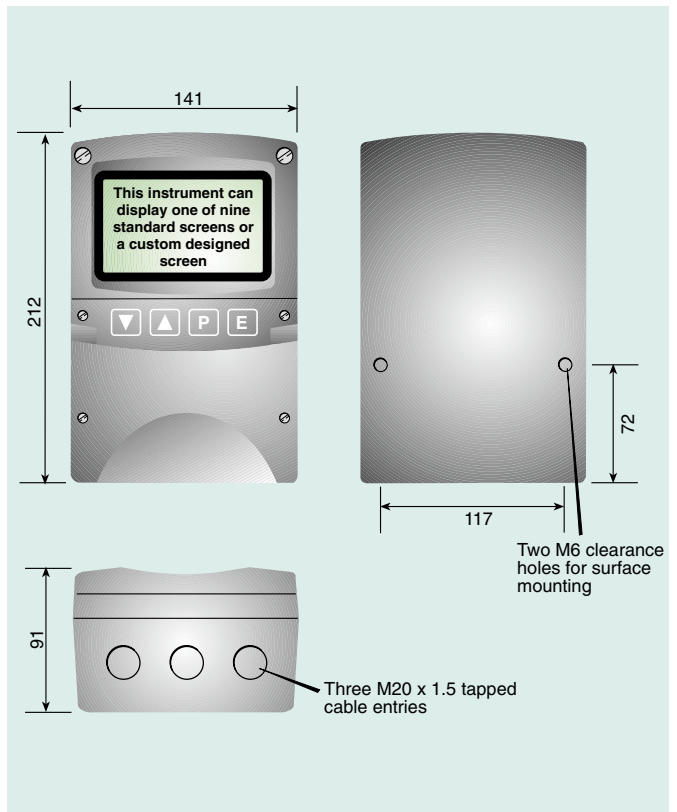
Mechanical

Terminals	Screw clamp for 0.5 to 1.5mm ² cable.
Weight	1.6kg

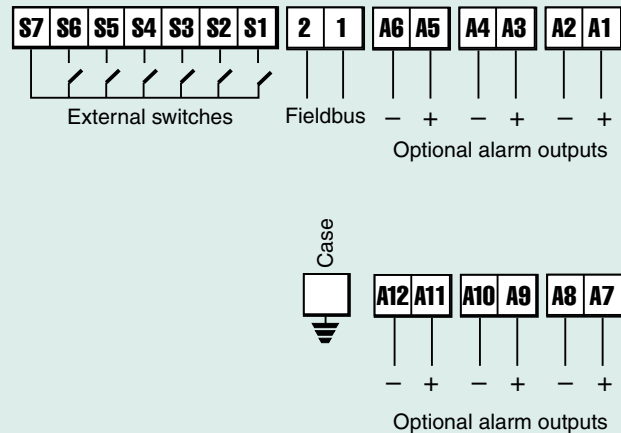
Accessories

Alarms	Six galvanically isolated outputs which may be linked to displayed variables. Configurable as: combined high and low alarm high or low alarm
Contacts	Isolated single pole solid state Ron less than 5Ω + 0.7V Roff greater than 1MΩ Vmax = 30V dc Imax = 200mA
Tag strip	Printed legend behind the display window
Tag plate	Engraved stainless steel plate attached to the side of the instrument.
Pipe mounting kit	BA392D or BA393
Programming guide	May be downloaded from www.beka.co.uk
Fieldbus interface guides	May be downloaded from www.beka.co.uk

DIMENSIONS (mm)



TERMINAL CONNECTIONS



HOW TO ORDER

Model number
Type of fieldbus

Please specify

BA684DF
FOUNDATION fieldbus™
or Profibus PA

Accessories

Six alarms
Tag strip
Tag plate
Pipe mounting kit

Please specify if required

Alarms
Tag strip legend
Tag plate legend
BA392D or BA393