

F809F FOUNDATION fieldbus™

Diagnostics module



Instruction Manual

INM F809F



General informationiv
Warning information iv
Safety instructions for installation and operating personnel iv

1 Overview 1
1.1 Manual 1
1.2 Safety Messages 1

2 Installation 2
2.1 Mounting 2
2.2 Power requirements 2
2.3 Configuration of fieldbus communication segment 2
2.4 Installation for communication on separate fieldbus segment 3

3 Configuration. 4
3.1 Standard 4
3.2 F809F Configuration 4

4 Block Configuration 5
4.1 Resource Block 5
4.2 Transducer Blocks 7
4.3 Discrete Input Block 14

5 Operation and Maintenance 16
5.1 Safety Messages 16
5.2 LED indicators 16
5.3 FOUNDATION Fieldbus Information 16
5.4 Hardware Maintenance 16
5.5 Troubleshooting 17

Appendix A: Troubleshooting Table. 18

GENERAL INFORMATION

Warning information

Warnings are occasionally provided in these operating instructions. They are always identified by the signalling word "**WARNING**" or a warning symbol - .

Safety instructions for installation and operating personnel

These operating instructions contain basic safety instructions for installation, operation and maintenance and servicing. Failure to comply with these instructions can endanger personnel, the plant and the environment.

Before installation/commissioning:

- ▶ Read the operating instructions.
- ▶ Give adequate training to the installation and operating personnel.
- ▶ Ensure that the contents of the operating instructions are fully understood by responsible personnel.
- ▶ The national installation and mounting regulations (e.g. EN 60079-14) apply.

When operating the devices:

- ▶ Make the operating instructions available at the installation area (at all times).
- ▶ Observe safety instructions.
- ▶ Observe national safety and accident prevention regulations.
- ▶ Operate the equipment within its published specification.
- ▶ Servicing/maintenance work or repairs which are not described in the operating instructions must not be performed without prior agreement with the manufacturer.
- ▶ Any damage may render hazardous-area protection null and void.
- ▶ No changes to the devices or components impairing their hazardous-area protection are permitted.
- ▶ The device may only be fitted and used if it is in an undamaged, dry and clean state.

If there are any points that remain unclear:

- ▶ Contact your local MTL Office
- ▶ Product and contact details are also available from the company website: <http://www.mtl-inst.com>



1 OVERVIEW

The F809F Fieldbus Diagnostic Module is available as an option for use with F800 Series and some F600 Series fieldbus power supplies. It plugs into an F8xx or F6x8 Series power supply carrier and continuously monitors the performance of each of the eight fieldbus segments, providing information on the network health and capturing retransmissions between the fieldbus devices and control system.

The parameters measured include the bulk power supply input voltage, temperature, segment voltages and signal levels of all devices. Average and peak noise are measured in each of three frequency bands. Additionally the monitor checks for correct bus termination and for short-circuits between the fieldbus signal wires and cable shields. The measured physical layer parameters are used to predict the corrective action required. This allows problems to be rectified before poor network health results in devices being removed from the 'live list', which could affect the operation of the plant. Measurements may alternatively be captured and sent to off-site experts for interpretation.

The F809F is a FOUNDATION fieldbus™ device, and communicates with the host control system via a fieldbus segment. This allows the network status and measured parameters to be displayed in the instrument management software on the host control system.

1.1 Manual

This manual is designed to assist in the installation, configuration and maintenance of the F809F Fieldbus Diagnostic Module.

For product specification see the EPS F809F data sheet.

1.2 Safety Messages

Instructions and procedures in this section may require special precautions to ensure the safety of the personnel performing the operations. Information that potentially raises safety issues is indicated by a warning symbol (⚠). Please refer to the following safety messages before performing an operation preceded by this symbol.

⚠ WARNING

Failure to follow these installation guidelines could result in death or serious injury.

- ◆ Make sure only qualified personnel perform the installation.

2 INSTALLATION

The F809F is designed for carrier mounting and may be mounted on any MTL F8xx or F6x8 series carrier. See the MTL F8xx or F6x8 series power supply or F8x8 carrier installation manual for details of how these carriers are installed.

The F809F Fieldbus Diagnostic Monitor receives redundant power feeds and connections to the eight monitored fieldbus segments via the carrier. The diagnostic information is conveyed to the controlling host via a fieldbus segment and the user has the choice of segment 1 or 8 (of the segments being monitored), or a totally separate segment of their choosing. The segment chosen for communication is configured using a plug-in connector located on the front edge of the module.

2.1 Mounting

Secure the F809F to the carrier using the module's two captive screws. Align the module with the two* multi-pin connectors on the carrier and hold it in place while tightening the two retaining screws. To remove the F809F, support the module while unscrewing the two retaining screws at its base. Lift the module off the carrier connector.

* A third connector is provided on the module for factory testing and firmware upgrade. This connector, the largest of the three, is not used on the carrier and is identified on the F809F side label. See Figure 2-1.

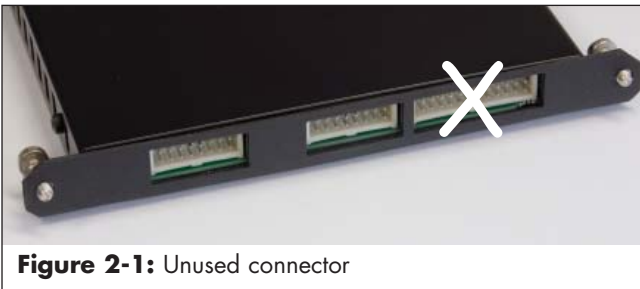


Figure 2-1: Unused connector

2.2 Power requirements

An F809F module draws approximately 15mA from the communicating fieldbus segment. This needs to be included when calculating the total design current requirement for that segment.



Figure 2-2: Configuration "comb"

2.3 Configuration of fieldbus communication segment

The communications segment that will be used is determined by configuring the connector on the front face of the module. A 6-pin "comb", supplied with the module, is used to define the communication segment by inserting it one of two ways into the connector (see Figure 2-2), or omitting it altogether.

The F809F can also be ordered pre-configured for the required fieldbus communication segment by requesting the part number shown here.

Part No Configuration

F809F Communicates on segment 8 (eight) of the monitored fieldbus segments

F809F-1 Communicates on segment 1 (one) of the monitored fieldbus segments

F809F-9 Communicates on a separate fieldbus segment



Figure 2-3: Removing protective cap

The communication segment can be changed "in the field" by a simple change to the connector on the front face.

1. Remove the protective cap from the top of the fieldbus module by squeezing the ends. See Figure 2-3.
2. Loosen the six screws in the connector.
3. Remove the "comb" from the connector (F809F or F809F-1), or obtain the connector "comb" from the packaging (F809F-9).
4. (a) **For communication on segment 8**
Place the "comb" in the connector, as shown (Figure 2-2), so that the number "8" is visible on the top (right) surface.
(b) **For communication on segment 1**
Place the "comb" in the connector so that the number "1" is visible on top (right) surface.
(c) **For communication on a separate segment**
No comb is required.
5. If the comb is being used, tighten the six screws to retain it.
6. Replace the protective cap.

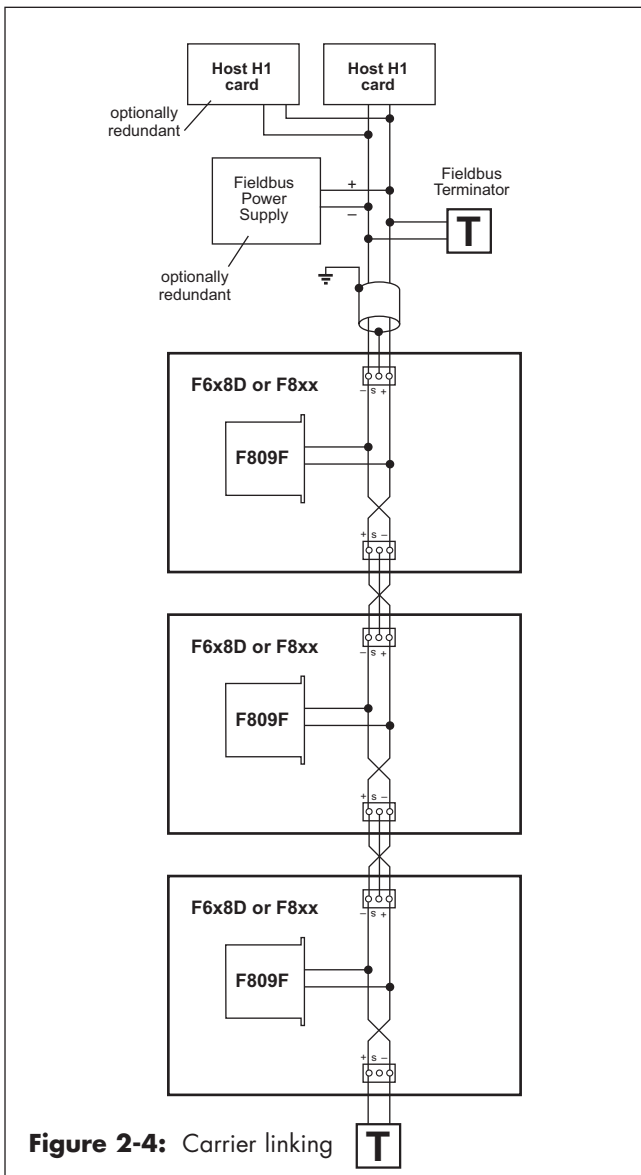
2.4 Installation for communication on separate fieldbus segment

If a separate fieldbus segment is the chosen option, then it can communicate the diagnostic data via the top connector on the F809F or, in some cases, through dedicated connectors on the carrier. The table below shows which carriers (by batch code) provide this option.

| Carrier type | Diagnostic data connection options | |
|--------------|------------------------------------|-------------------|
| | via carrier | via top connector |
| F618D-CL | All | All |
| F860-CA | None | All |
| F880-CR-xx | None | All |
| F880-CL-xx | None | All |
| F880-CA-xx | 0727 or later | All |
| F888-CA-xx | All | All |
| F890-CA-xx | 0727 or later | All |
| F892-CA-xx | 0727 or later | All |
| F898-CA-xx | All | All |

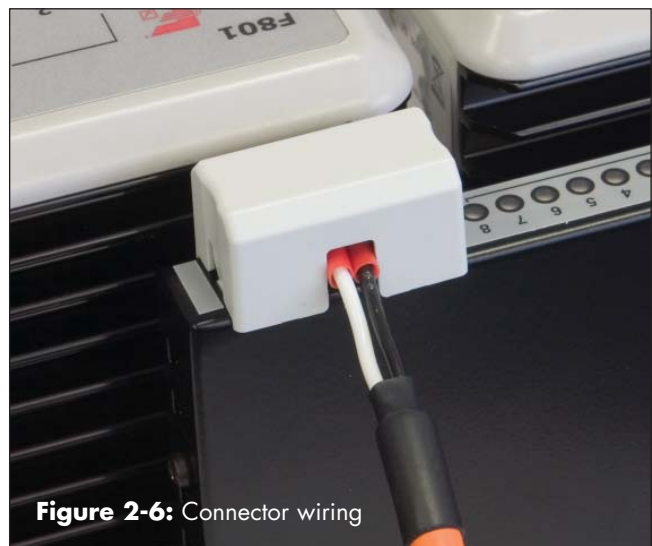
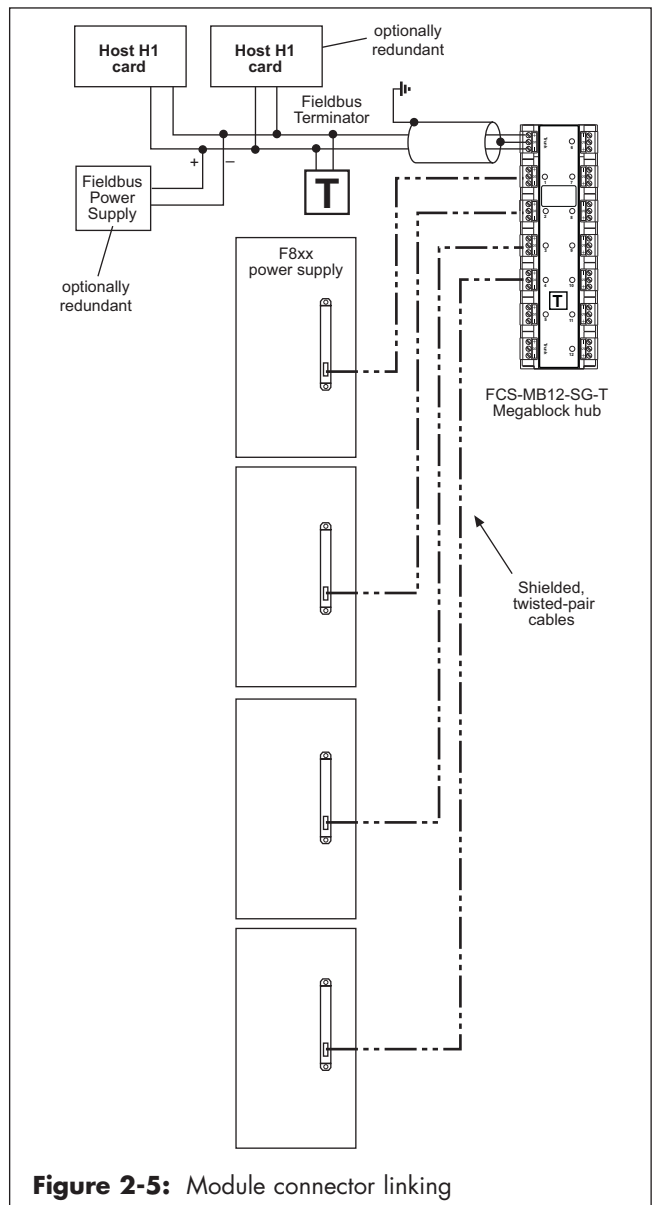
2.4.1 Interconnection via carrier

Figure 2-4 shows how a dedicated diagnostic segment, comprising multiple F6x8 or F8xx carriers, is interlinked, powered and terminated. Where carriers are installed in vertical columns, connect the H1+, H1- and S terminals of adjacent carriers as shown.



2.4.2 Interconnection via top connector

Figure 2-5 shows how a dedicated diagnostic segment comprising multiple F8xx carriers is interlinked and terminated. The fieldbus spur is connected to the two middle terminals in the top connector - see Figures 2-2 and 2-6.



2.4.3 Fieldbus segment design rules

A segment may support a number of F809F modules. The actual number is based on a number of factors:

- the logical device limit of the host,
- the fieldbus power supply capacity,
- operational constraints such as bandwidth
- the overall impact on the system if that diagnostic segment should be lost.

Shielded, twisted-pair cable, complying with FOUNDATION FIELDBUS 'Type A' construction is recommended for the diagnostic segment. Unshielded instrument cable is suitable for interconnections between adjacent carriers.

2.4.4 Diagnostics module power supply

The diagnostic segment must be powered by a conditioned fieldbus power supply (see Figure 2-4 & 2-5) that will provide a voltage in the range 9–32V DC at each F809F fieldbus diagnostic module. This power supply may be either simplex or redundant, depending on the application, and be capable of providing sufficient current for the entire diagnostic segment.

Each F809F module draws approximately 15mA, so a segment comprising 10 modules, for example, will require an output current of at least 150mA. Suitable redundant fieldbus power supplies could be MTL-Relcom type F800 or FPS-I, either of which can provide 350mA at 21.5V to 28V DC depending on model. Alternatively, type FPS-DT will provide enough for two segments of non-redundant power.

2.4.5 Diagnostics module segment termination

As with all Fieldbus segments, the one used for the diagnostic data must be terminated at both ends to maintain the bus impedance within FOUNDATION fieldbus™ limits. When interconnections are via the carrier, a terminator must be connected between the H1+ and H1- terminals of the diagnostic bus connector at the far end of the segment (see Figure 2-4). Suitable terminators for this are MTL type FBT1-IS or F100.

When interconnection is via the top connector, the recommended method is to use a Megablock with a built-in terminator to interconnect the fieldbus spurs and terminate the bus (see Figure 2-5). Termination of the bus at the host end may be provided either by an integrated terminator within the power supply (such as exists within the FPS-I, FPS-DT and F800 types) or by means of a separate terminator.

3 CONFIGURATION

3.1 Standard

Each FOUNDATION fieldbus™ configuration tool or host system has a different way of displaying and performing configurations. Some will use Device Descriptions (DDs) and DD Methods to make configuration and displaying of data consistent across host platforms.

Refer to the fieldbus control system's documentation to perform configuration changes using a Foundation fieldbus host or configuration tool.

The function of the F809F is to provide diagnostic data, so the only way to make configuration changes is with the MODE_BLK.ACTUAL in AUTO mode.

NOTE: Fieldbus devices used in process applications usually have to be set to OOS mode before making configuration changes.

3.2 F809F Configuration

The F809F is available with the standard configuration setting. The configuration settings and block configuration may be changed in the field with the FOUNDATION fieldbus host or a configuration tool.

4 BLOCK CONFIGURATION

4.1 Resource Block

The resource block defines the physical resources of the device including type of measurement, memory, etc. The resource block also defines functionality, such as shed times, that is common across multiple blocks. The block has no linkable inputs or outputs and it performs memory-level diagnostics.

Table 4-1. Resource Block Parameters

| Number | Parameter | Description |
|--------|-------------|---|
| 00 | BLOCK | |
| 01 | ST_REV | |
| 02 | TAG_DESC | The revision level of the static data associated with the function block. |
| 03 | STRATEGY | The strategy field can be used to identify grouping of blocks. |
| 04 | ALERT_KEY | The identification number of the plant unit. |
| 05 | MODE_BLK | The ACTUAL, TARGET, PERMITTED, and NORMAL modes of the block. For further description, see the Mode parameter formal model in FF-890. |
| 06 | BLOCK_ERR | This parameter reflects the error status associated with the hardware or software components associated with a block. Multiple errors may be shown. For a list of enumeration values, see FF-890, Block_Err formal model. |
| 07 | RS_STATE | State of the function block application state machine. For a list of enumeration values, see FF-890. |
| 08 | TEST_RW | Read/write test parameter - used only for conformance testing. |
| 09 | DD_RESOURCE | String identifying the tag of the resource which contains the Device Description for the resource. |
| 10 | MANUFAC_ID | Manufacturer identification number - used by an interface device to locate the DD file for the resource. |
| 11 | DEV_TYPE | Manufacturer's model number associated with the resource - used by interface devices to locate the DD file for the resource. |
| 12 | DEV_REV | Manufacturer revision number associated with the resource - used by an interface device to locate the DD file for the resource. |
| 13 | DD_REV | Revision of the DD associated with the resource - used by the interface device to locate the DD file for the resource. |
| 14 | GRANT_DENY | Options for controlling access of host computer and local control panels to operating, tuning and alarm parameters of the block. |
| 15 | HARD_TYPES | The types of hardware available as channel numbers. The supported hardware type is: SCALAR_INPUT |
| 16 | RESTART | Allows a manual restart to be initiated. See also Section 5.4.2 |
| 17 | FEATURES | Used to show supported resource block options. The supported features are: SOFT_WRITE_LOCK_SUPPORT and REPORTS. |
| 18 | FEATURE_SEL | Used to select resource block options. |
| 19 | CYCLE_TYPE | Identifies the block execution methods available for this resource. The supported cycle types are: SCHEDULED, and COMPLETION_OF_BLOCK_EXECUTION. |
| 20 | CYCLE_SEL | Used to select the block execution method for this resource. |
| 21 | MIN_CYCLE_T | Time duration of the shortest cycle interval of which the resource is capable. |
| 22 | MEMORY_SIZE | Available configuration memory in the empty resource. To be checked before attempting a download. |
| 23 | NV_CYCLE_T | Minimum time interval specified by the manufacturer for writing copies of NV parameters to non-volatile memory. Zero means it will never be automatically copied. At the end of NV_CYCLE_T, only those parameters which have changed need to be updated in NVRAM. |
| 24 | FREE_SPACE | Percent of memory available for further configuration. Zero in preconfigured resource. |
| 25 | FREE_TIME | Percent of the block processing time that is free to process additional blocks. |
| 26 | SHED_RCAS | Time duration at which to give up on computer writes to function block RCas locations. Shed from RCas will never happen when SHED_RCAS = 0. |
| 27 | SHED_ROUT | Time duration at which to give up on computer writes to function block ROut locations. Shed from ROut will never happen when SHED_ROUT = 0. |
| 28 | FAULT_STATE | Condition set by loss of communication to an output block, fault promoted to an output block or physical contact. When faultstate condition is set, then output function blocks will perform their FSTATE actions. |

| Number | Parameter | Description |
|--------|----------------------------|--|
| 29 | SET_FSTATE | Allows the FAIL_SAFE condition to be manually initiated by selecting Set. |
| 30 | CLR_FSTATE | Writing a Clear to this parameter will clear the device FAIL_SAFE if the field condition has cleared. |
| 31 | MAX_NOTIFY | Maximum number of unconfirmed notify messages possible. |
| 32 | LIM_NOTIFY | Maximum number of unconfirmed alert notify messages allowed. |
| 33 | CONFIRM_TIME | The time the resource will wait for confirmation of receipt of a report before trying again. Retry will not happen when CONFIRM_TIME=0. |
| 34 | WRITE_LOCK | If set, all writes to static and non-volatile parameters are prohibited, except to clear WRITE_LOCK. Block inputs will continue to be updated. |
| 35 | UPDATE_EVT | This alert is generated by any change to the static data. |
| 36 | BLOCK_ALM | The BLOCK_ALM is used for all configuration, hardware, connection failure or system problems in the block. The cause of the alert is entered in the subcode field. The first alert to become active will set the Active status in the Status attribute. As soon as the Unreported status is cleared by the alert reporting task, another block alert may be reported without clearing the Active status, if the subcode has changed. |
| 37 | ALARM_SUM | The current alert status, unacknowledged states, unreported states, and disabled states of the alarms associated with the function block. |
| 38 | ACK_OPTION | Selection of whether alarms oscillated with the block will be automatically acknowledged. |
| 39 | WRITE_PRI | Priority of the alarm generated by clearing the write lock. |
| 40 | WRITE_ALM | This alert is generated if the write lock parameter is cleared. |
| 41 | ITK_VER | Major revision number of the interoperability test case used in certifying this device as interoperable. The format and range are controlled by the Fieldbus Foundation. |
| 42 | IDENTIFICATION_MEASUREMENT | (SERIAL_NUMBER, HW_REVISION, SOFTWARE_VERSION, FIRMWARE_CRC) Measurement serial number, hardware revision and software version. View as hexadecimal number. |
| 43 | IDENTIFICATION_FIELDBUS | (SERIAL_NUMBER, HW_REVISION, SOFTWARE_VERSION, FIRMWARE_CRC) Fieldbus serial number, hardware revision and software version. View as decimal number. |

4.1.1 Block Errors

Table 4-2 lists all conditions in the BLOCK_ERR parameter, with conditions in **bold** supported by the F809F.

Table 4-2. BLOCK_ERR Conditions

| Number | Name and Description |
|-----------|---|
| 0 | Other |
| 1 | Block Configuration Error |
| 2 | Link Configuration Error |
| 3 | Simulate Active |
| 4 | Local Override |
| 5 | Device Fault State Set |
| 6 | Device Needs Maintenance Soon |
| 7 | Input failure/process variable has bad status |
| 8 | Output Failure |
| 9 | Memory Failure |
| 10 | Lost Static Data: Static data that is stored in non-volatile memory has been lost. |
| 11 | Lost NV Data |
| 12 | Readback Check Failed |
| 13 | Device Needs Maintenance Now |
| 14 | Power Up: The device was just powered-up. |
| 15 | OOS: The actual mode is out of service. |

4.1.2 Modes

The resource block supports two modes of operation as defined by the MODE_BLK parameter:

Automatic (Auto)

The block is processing its normal background memory checks. In this mode, changes can be made to all configurable parameters.

Out of Service (OOS)

The block is not processing its tasks. The BLOCK_ERR parameter shows Out of Service. In this mode, changes can not be made to any configurable parameters. The target mode of a block may be restricted to one or more of the supported modes.

4.2 Transducer Blocks

There are two types of transducer blocks that allow the user to view and manage the channel information. These blocks are:

- System Transducer Block (SysTB) – see “System Transducer Block (SysTB)” in Section 4.2.4.
- Segment Transducer Block (SegTB), one for each of the eight segments – see “Segment Transducer Block (SegTB)” in Section 4.2.5.

These Transducer blocks contain specific diagnostic data.

4.2.1 Transducer Block Errors

The following conditions are reported in the BLOCK_ERR parameters. Conditions in **bold** are supported in the transducer blocks.

Table 4-3. Block/Transducer Error

BLOCK_ERR

Condition Number, Name and Description

| | |
|-----------|--|
| 0 | Other |
| 1 | Block configuration error |
| 2 | Link configuration error |
| 3 | Simulate active |
| 4 | Local override |
| 5 | Device fault state set |
| 6 | Device needs maintenance soon |
| 7 | Input failure |
| 8 | Output failure |
| 9 | Memory failure |
| 10 | Lost static data |
| 11 | Lost NV data |
| 12 | Readback check failed |
| 13 | Device needs maintenance now |
| 14 | Power up: The device was just powered up |
| 15 | Out of service: The actual mode is out of service |

4.2.2 Transducer Block Modes

The transducer block supports two modes of operation as defined by the MODE_BLK parameter:

Automatic (Auto)

The block outputs reflect the diagnostic measurement board inputs. In this mode, changes can be made to all configurable parameters.

Out of Service (OOS)

The block is not processed. Channel outputs are not updated and the status is set to Bad: Out of Service for each channel. The BLOCK_ERR parameter shows Out of Service. In this mode, changes can not be made to any configurable parameters. The target mode of a block may be restricted to one or more of the supported modes.

4.2.3 Transducer Block Alarm Detection

If any alarm (except the new and removed device alerts) is set within the Transducer Block then the Needs Maintenance Soon Bit is set in the BLOCK_ERR parameter. The regular monitoring by the control system of the BLOCK_ERR parameter can be used to inform the right person of the alarm condition. Typically this will be the instrument technician responsible for fieldbus network maintenance.

Additionally if any alarm is set in the Transducer Block then the Segment Alarm DI Block PV_D will be set to 1. By configuring the DI block in the fieldbus cyclic messaging the right person can be informed of the alarm condition.

It is recommended to select only one of these options for alarm handling.

4.2.4 System Transducer Block (SysTB)

There is one SysTB in the F809F, which allows the user to view system and self-test alarms together with the system power feed voltages and temperature. The SysTB allows configuration of the time, the date and the segments monitored. Additionally, for each device on each of the 8 monitored fieldbus segments, the re-transmission counter can be reset and device history data can be deleted from within this block.

Table 4-4. Measurement Transducer Block Parameters

| Rel-Index | Parameter Name | Description | Help Text | Default alarm limit |
|-----------|----------------------|---|-----------|---------------------|
| 0 | BLOCK_HEADER | In the BLOCK_HEADER record of a transducer block only the element BLOCK_TAG is writable. | | |
| 1 | ST_REV | The revision level of the static data associated with the function block. | | |
| 2 | TAG_DESC | The user description of the intended application of the block. | | |
| 3 | STRATEGY | The strategy field can be used to identify grouping of blocks. | | |
| 4 | ALERT_KEY | The identification number of the plant unit. | | |
| 5 | MODE_BLK | The ACTUAL, TARGET, PERMITTED, and NORMAL modes of the block. For further description, see the Mode parameter formal model in FF-890. | | |
| 6 | BLOCK_ERR | This parameter reflects the error status associated with the hardware or software components associated with a block. Multiple errors may be shown. For a list of enumeration values, see FF-890, Block_Err formal model. | | |
| 7 | UPDATE_EVT | Update Event | | |
| 8 | BLOCK_ALM | Block Alarm | | |
| 9 | TRANSDUCER_DIRECTORY | Transducer Directory | | |
| 10 | TRANSDUCER_TYPE | Transducer Type | | |
| 11 | XD_ERROR | XD Error | | |
| 12 | COLLECTION_DIRECTORY | Collection Directory | | |
| 13 | PRIMARY_VALUE_D | | | |
| 14 | POWER_FEED_A_VOLTAGE | Power Feed A Voltage | | |

| Rel- Index | Parameter Name | Description | Help Text | Default alarm limit |
|---------------|-------------------------------|-------------------------------|--|---------------------------|
| 15 | POWER_FEED_B_VOLTAGE | Power Feed B Voltage | | |
| 16 | MODULE_TEMPERATURE | Module Temperature | | |
| 17 | SYSTEM_ALARMS | System Alarms | | |
| 18 | SELF_TEST_FAULT_ALARMS | Self Test Fault Alarms | | |
| 19 | POWER_FEED_A_VOLTAGE_LIMITS | Power Feed A Voltage Limits | The default values are limits for MTL fieldbus power supply input voltages. The user may reset to output limits of bulk power supply taking into account voltage drop in wiring at minimum and maximum load. | Low = 19.2V High = 30V |
| 20 | POWER_FEED_B_VOLTAGE_LIMITS | Power Feed B Voltage Limits | The default values are limits for MTL fieldbus power supply input voltages. The user may reset to output limits of bulk power supply taking into account voltage drop in wiring at minimum and maximum load. | Low = 19.2V High = 30V |
| 21 | MODULE_TEMPERATURE_HIGH_LIMIT | Module Temperature High Limit | The default values are limits for the F801 fieldbus power supply maximum operating temperature of 65°C. The user may reset this to the maximum operating temperature of the power supply used or select a lower limit based on normal operating temperature of the cabinet. Setting the limit at the lower of the maximum operating temperature of the power supply or 10°C above the normal operating temperature is recommended. | 65°C |
| 22 | PROCESSOR_RESET | Processor Reset | Measurement board processor reset indicator. Cleared when time and date is set. Normally done automatically by the host. | |
| 23 | SET_DATE_TIME | Set Date Time | Set the time manually if the Host does not support an automatic update. If the 'Processor reset' flag is active then the time has not been set. | |
| 24 | SET_MONITORED_SEGMENTS | Set Monitored Segments | The default value is to monitor all 8 segments. If any segments are not in use these may be omitted from the scan. Whilst investigating an issue on a segment, select only that segment number to scan only that segment. After resolving the issue scanning should be reset to all active segments. | |
| 25 | RESET_RETRANSMIT_COUNTERS | Reset Transmission Counters | Reset Retransmit Counters (Select Bitmap, Segment Nr, Device Nr)Delete selected retransmission counters. | |
| 26 | DELETE_DATA | Delete data | Delete Data (Select Bitmap, Segment Nr, Device Nr). Warning! This will delete all history data for the selected device. Device data is stored with the device address assigned by the host system. Only delete data if a device address will be no longer used on a segment or a device address is to be assigned to a different device type. | |

4.2.4.1 System alarms

| Value | Name and Description | Help Text |
|-------|---------------------------------|---------------------------------------|
| 0x01 | Power Feed A Voltage High Alarm | check bulk power supply operation |
| 0x02 | Power Feed A Voltage Low Alarm | check bulk power supply operation |
| 0x04 | Power Feed B Voltage High Alarm | check bulk power supply operation |
| 0x08 | Power Feed B Voltage Low Alarm | check bulk power supply operation |
| 0x10 | Module Temperature High Alarm | check cooling in power supply cabinet |

4.2.4.2 Self test alarms

| Value | Name and Description |
|-------|--------------------------------------|
| 0x01 | Measurement processor in Fault State |
| 0x02 | EEPROM not programmed |
| 0x04 | EEPROM data corrupt |
| 0x08 | Relay stuck |
| 0x10 | RAM error |
| 0x20 | FLASH corrupt |
| 0x40 | Watchdog failure |

4.2.4.3 Methods

For FOUNDATION fieldbus hosts or configuration tools that support DD methods, there are 3 configuration methods available in the Systems Transducer block. These methods are included with the device description (DD) software.

- Setting Date and Time
- Resetting retransmission counter
- Deleting device data

4.2.5 Segment Transducer Block (SegTB)

Each of the eight monitored fieldbus segments is supported by a SegTB that provides all the measured parameters and associated alarms for the fieldbus segment and devices. The user can assign segment and device tags within this block. Additionally the segment and device alarm limits may be changed by the user..

WARNING: the device tags are held in volatile memory. The F809F is designed to be powered by redundant reliable power feeds. If both power feeds fail at the same time, or the the F809F is removed from the carrier, then the segment and device tag data will be lost. It is recommended to retain this data in the systems Instrument Management Software, so if an F809F module is replaced, the data can be downloaded to the new module.

Table 4-5. Segment Transducer Block Parameters

| Rel-Index | Parameter Name | Description | Help Text | Default alarm limit |
|-----------|----------------|---|-----------|---------------------|
| 0 | BLOCK | | | |
| 1 | ST_REV | The revision level of the static data associated with the function block. | | |
| 2 | TAG_DESC | The user description of the intended application of the block. | | |
| 3 | STRATEGY | The strategy field can be used to identify grouping of blocks. | | |
| 4 | ALERT_KEY | The identification number of the plant unit. | | |
| 5 | MODE_BLK | The actual, target, permitted, and normal modes of the block. For further description, see the Mode parameter formal model in FF-890. | | |
| 6 | BLOCK_ERR | This parameter reflects the error status associated with the hardware or software components associated with a block. Multiple errors may be shown. For a list of enumeration values, see FF-890, Block_Err formal model. | | |
| 7 | UPDATE_EVT | Update Event | | |
| 8 | BLOCK_ALM | Block Alarm | | |

| Rel- Index | Parameter Name | Description | Help Text | Default alarm limit |
|---------------|------------------------------|-------------------------------------|---|------------------------|
| 9 | TRANSDUCER_DIRECTORY | Transducer Directory | | |
| 10 | TRANSDUCER_TYPE | Transducer Type | | |
| 11 | XD_ERROR | XD Error | | |
| 12 | COLLECTION_DIRECTORY | Collection Directory | | |
| 13 | PRIMARY_VALUE_D | | | |
| 14 | SEGMENT_TAG | The user description of the segment | | |
| 15 | SEGMENT_VOLTAGE | Segment Voltage | | |
| 16 | AVG_LF_NOISE | Average Low Frequency Noise | Average low frequency noise (25 Hz - 3.8 kHz) | |
| 17 | AVG_IF_NOISE | Average In-Band Frequency Noise | Average in-band or fieldbus frequency noise (5 kHz - 55 kHz) | |
| 18 | AVG_HF_NOISE | Average High Frequency Noise | Average high frequency noise (90 kHz - 350 kHz) | |
| 19 | PEAK_LF_NOISE | Peak Low Frequency Noise | Peak low frequency noise (25 Hz - 3.8 kHz) detected by the diagnostic module over the last hour. | |
| 20 | PEAK_IF_NOISE | Peak In-Band Frequency Noise | Peak in-band or fieldbus frequency noise (5 kHz - 55 kHz) detected by the diagnostic module over the last hour. | |
| 21 | PEAK_HF_NOISE | Peak High Frequency Noise | Peak high frequency noise (90 kHz - 250 kHz) detected by the diagnostic module over the last hour. | |
| 22 | LIVE_DEVICE_COUNT | Live Device Count | Number of fieldbus devices communicating on the network segment. | |
| 23 | LAS_DEVICE_TAG | LAS Device Tag | | |
| 24 | LAS_DEVICE_ADDRESS | LAS Device Address | Hexadecimal address of the Link Active Scheduler on the network segment. | |
| 25 | LAS_SIGNAL_LEVEL | LAS Signal Level | Peak-to-peak signal level of the Link Active Scheduler transmissions on the network segment. | |
| 26 | LOWEST_SIGNAL_DEVICE_TAG | Lowest Signal Device Tag | | |
| 27 | LOWEST_SIGNAL_DEVICE_ADDRESS | Lowest Signal Device Address | Hexadecimal address of the device on the network segment with the lowest detected signal level. | |
| 28 | LOWEST_SIGNAL_LEVEL | Lowest Signal Level | The lowest detected signal level at which a device transmitted. | |
| 29 | RETRANSMISSIONS | Retransmissions | Total retransmissions monitored by diagnostic module of all devices on this segment since last reset. | |
| 30 | RETRANSMISSION_RATE | Retransmission Rate | Retransmission rate = Total Re-transmissions / Total pass token requests from LAS of all devices on this segment over the last calendar month. See Note 1 . | |

| Rel- Index | Parameter Name | Description | Help Text | Default alarm limit |
|---------------|------------------------------|---|--|---|
| 31 | DEVICE_DATA_1 | Device Data 1 | | |
| | DEVICE_ADDRESS | Device Address | Device address displayed in Hexadecimal. Some fieldbus control systems display addresses as decimal so care should be taken when comparing data in the diagnostic module and the control system. | |
| | DEVICE_TAG | Device Tag | User assigned device tag. Stored in volatile memory. | |
| | DEVICE_SIGNAL_LEVEL | Device Signal Level | | |
| | RETRANSMISSIONS | Retransmissions, | Retransmissions detected by diagnostic module for this device since last reset. | |
| | RETRANSMISSION_RATE | Retransmission Rate | Retransmission rate = Re-transmissions/Total pass token requests from LAS over the last calendar month. See Note 1 . | |
| | RESERVED | Reserved | | |
| | INVERTED_SIGNAL | Inverted Signal | Indicates this device is connected with the wrong polarity. Reverse wiring connections at this device. | |
| | DEVICE LIVE | Device live status | Live device flag. The device is currently live if this is set to 1. The device is no longer live if 0. | |
| | <hr/> | | | |
| 32 - 62 | As 31 for Devices 2 - 32 | | | |
| 63 | SEGMENT_ALARMS | See Section 4.2.5.1 | | |
| 64 | DEVICE_ALARMS | See Section 4.2.5.2 | | |
| 65 | SEGMENT_VOLTAGE_LIMITS | Segment voltage limits | Default high limit set to 32V and low limit set to 20v for F801 power supply. Set to 25V for FPS power supply and 28V for F802 power supply. | Low = 20V High = 32V |
| 66 | AVG_LF_NOISE_HIGH_LIMIT | Average Low Freq. Noise High Limit | Default set to 150mV | 150mV |
| 67 | AVG_IF_NOISE_HIGH_LIMIT | Average In-Band Freq. Noise High Limit | Default set to 75mV | 75mV |
| 68 | AVG_HF_NOISE_HIGH_LIMIT | Average High Frequency Noise High Limit | Default set to 150mV | 150mV |
| 69 | PEAK_LF_NOISE_HIGH_LIMIT | Peak Low Frequency Noise High Limit | Default set to 65535mV | 65535mV See Note 2 (Alarm disabled) |
| 70 | PEAK_IF_NOISE_HIGH_LIMIT | Peak In-Band Frequency Noise High Limit | Default set to 65535mV | 65535mV See Note 2 (Alarm disabled) |
| 71 | PEAK_HF_NOISE_HIGH_LIMIT | Peak High Frequency Noise High Limit | Default set to 65535mV | 65535mV See Note 2 (Alarm disabled) |
| 72 | LIVE_DEVICE_COUNT_LIMITS | Live Device Count Limits | Default high limit set to 32 devices and low limit set to 0 | Low = 0 High = 32 |
| 73 | DEVICE_SIGNAL_LEVEL_LIMITS_1 | Device Signal Level Limits 1 | After successful commissioning the device low limit may be set to 75% of current value and device high limit to 125% of current value. | Low = 150mV High = 1200mV See Note 2 |
| 74 | RETRANSMISSIONS_LIMIT_1 | Retransmissions Limit 1 | Default set to 65535 | 65535 |

| Rel-Index | Parameter Name | Description | Help Text | Default alarm limit |
|-----------|--------------------------------------|-------------------------------|----------------------|------------------------------|
| 75 | RETRANSMISSION_RATE_LIMIT_1 | Retransmission Rate Limit 1 | Default set to 0.1% | 0.1% |
| ... | As 73, 74 and 75 for Devices 2 to 31 | | ... | |
| 166 | DEVICE_SIGNAL_LEVEL_LIMITS_32 | Device Signal Level Limits 32 | | Low = 150mV High = 1200mV |
| 167 | RETRANSMISSIONS_LIMIT_32 | Retransmissions Limit 32 | Default set to 65535 | 65535 |
| 168 | RETRANSMISSION_RATE_LIMIT_32 | Retransmission Rate Limit 32 | Default set to 0.1% | 0.1% |

Information on alarms is provided by SEGMENT_ALARMS and DEVICE_ALARMS.

Note 1. Updated on the first day of the month. During the first calendar month, after any device communication is identified, the value '0' will be displayed to allow sufficient pass-token requests to be monitored.

Note 2. The device signal level high limits and peak noise high alarm limits with fieldbus software version 1.10 or earlier are:

| | |
|-----------------------------------|--------|
| Device Signal Level Limits - High | 1000mV |
| Peak Low Frequency Noise | 300mV |
| Peak In-band Frequency Noise | 150mV |
| Peak High Frequency Noise | 300mV |

4.2.5.1 SEGMENT_ALARMS - Descriptions and Corrective Actions

| Value | Name and Description | Help Text |
|--------|--|---|
| 0x0001 | Segment voltage high alarm: | check fieldbus power supply operation |
| 0x0002 | Segment voltage low alarm | check for segment short circuit and fieldbus power supply operation |
| 0x0004 | Average low frequency noise high alarm | check: fieldbus screen grounding, AC cabling close to fieldbus cabling, wire terminations are properly secured. |
| 0x0008 | Average in-band frequency noise high alarm | check: fieldbus screen grounding, AC cabling close to fieldbus cabling, the wire terminations are properly secured, for welding on plant, poor grounding of frequency controlled drives,check wire terminations are properly secured |
| 0x0010 | Average high frequency noise high alarm | check: for sources of high frequency noise such as welding on plant, poor grounding of frequency controlled drives.. |
| 0x0020 | Peak low frequency noise high alarm | if frequent alarms check: fieldbus screen grounding, AC cabling close to fieldbus cabling, wire terminations are properly secured. |
| 0x0040 | Peak in-band frequency noise high alarm | if frequent alarms check: fieldbus screen grounding, AC cabling close to fieldbus cabling, the wire terminations are properly secured, for welding on plant, poor grounding of frequency controlled drives, |
| 0x0080 | Peak high frequency noise high alarm | if frequent alarms check: for sources of high frequency noise such as welding on plant, poor grounding of frequency controlled drives. |
| 0x0100 | Live device count high alarm | check if additional device has been added to segment, if new device is approved and segment documentation has been updated, reset live device count limits; |
| 0x0200 | Live device count low alarm | check for device failed or removed for maintenance. |
| 0x0400 | Short to shield | Check for shield connections to the fieldbus cable including stray strands of wire at wire terminations or un-insulated shield wire loose at the device. Disconnect portions of cable and check if the short goes away. Verify the fieldbus power supply is isolated from ground. Check for damaged or waterlogged cable, junction box or device. |
| 0x0800 | 32 device addresses used | |

4.2.5.2 DEVICE_ALARMS - Descriptions and Corrective Actions

| Value | Name and Description | Corrective Action |
|-------|--------------------------------|---|
| 0x01 | Device signal level high alarm | If only one device high: check alarm limits have not been wrongly set, check device operation. If several/all devices on segment check for only one terminator on segment or failed terminator |
| 0x02 | Device signal level low alarm | If only one device low: check alarm limits have not been wrongly set, check spur cabling, spur and device connections are tight, water in spur cable or device, check device operation. If several/all devices on segment low check for more than two terminators on segment, check for water in devices, junction boxes and cabling.. |
| 0x04 | Retransmissions high alarm | Check retransmission limit has not been wrongly set. Check retransmission rate. Check for changes in parameter levels compared to values at commissioning and with history. Investigate any significant changes. |
| 0x08 | Retransmission rate high alarm | This is an excellent key performance indicator of device communication health. Check retransmission rate limit has not been wrongly set. Check for changes in parameter levels compared to values at commissioning and with history. Investigate any significant changes. If only one device check spur cabling, spur and device connections are tight, check for water in spur cable or device, check device operation. If all/several devices on segment check trunk cabling, host and trunk JB connections are tight, check for water in trunk or spur cable, junction boxes or all devices, check host operation. |

4.2.5.3 DEVICE_ALERTS - Descriptions

These alerts are useful during commissioning and maintenance. To avoid high levels of alarms, these alerts do not set the "BLOCK_ERR needs maintenance soon" bit, the "DI block alarm" or the segment LED to "flashing". On an operational fieldbus segment, these events can be set to generate alarms - if required, by configuring "segment device count" low and high alarms.

| Value | Name | Description |
|-------|----------------|--|
| 0x10 | New device | Set when a device is added to the LAS live list. Cleared after 1 hour. |
| 0x20 | Device removed | Set when a device is removed from the LAS live list. Cleared after 1 hour. |

4.3 Discrete Input Block

The discrete input blocks calculate their PV_D value from the current values of the alarm parameters of the transducer blocks and calculate the OUT_D value according to the Discrete Input Block algorithm.

Alarm DI Block: PV_D will be set to 1 if any of the System Alarm, Segment / Device Alarm or Self Test Fault Alarm bits is set. Selected by channel value 12.

System Alarm DI Block: PV_D will be set to 1 if any System Alarm and Self Test Fault Alarm bits are set. Selected by channel value 13.

Segment Alarm DI Block 1 – 8: PV_D will be set to 1 if any of the Segment / Device Alarm bits is set for the respective segment. Selected by channel values 14 – 21 for segments 1 – 8.

The selection, which summarized alarm is displayed in which DI function block is adjustable through the CHANNEL parameter of the function block. The default value of the CHANNEL parameter (valid values are 12 to 21) pre-selects the various types of alarms as described above.

| Channels Summary: | Channel | Description |
|-------------------|---------|--------------------------|
| | 12 | Alarm DI Block |
| | 13 | System Alarm DI Block |
| | 14 | Segment 1 Alarm DI Block |
| | 15 | Segment 2 Alarm DI Block |
| | 16 | Segment 3 Alarm DI Block |
| | 17 | Segment 4 Alarm DI Block |
| | 18 | Segment 5 Alarm DI Block |
| | 19 | Segment 6 Alarm DI Block |
| | 20 | Segment 7 Alarm DI Block |
| | 21 | Segment 8 Alarm DI Block |

For applications using DI Blocks to communicate alarms to the host system, configure the links between the function blocks and schedule the order of their execution.

4.3.1 Discrete Input Block Errors

The following conditions are reported in the BLOCK_ERR parameters. Conditions in **bold** are supported in the DI blocks.

Table 4-6. Block/Transducer Error

BLOCK_ERR

Condition Number, Name and Description

| | |
|-----------|--|
| 0 | Other |
| 1 | Block configuration error |
| 2 | Link configuration error |
| 3 | Simulate active |
| 4 | Local override |
| 5 | Device fault state set |
| 6 | Device needs maintenance soon |
| 7 | Input failure |
| 8 | Output failure |
| 9 | Memory failure |
| 10 | Lost static data |
| 11 | Lost NV data |
| 12 | Readback check failed |
| 13 | Device needs maintenance now |
| 14 | Power up: The device was just powered up |
| 15 | Out of service: The actual mode is out of service |

5 OPERATION AND MAINTENANCE

5.1 Safety Messages

Instructions and procedures in this section may require special precautions to ensure the safety of the personnel performing the operations. Information that potentially raises safety issues is indicated by a warning symbol (⚠). Please refer to the following safety messages before performing an operation preceded by this symbol.

⚠ WARNING

Failure to follow these installation guidelines could result in death or serious injury.

- ◆ Make sure only qualified personnel perform the installation.

5.2 LED indicators

Power status (green)

- ON** power on
- OFF** power fail

Segment status (amber)

- ON** segment monitored
- OFF** segment not monitored
- FLASHING** active segment alarm

5.3 FOUNDATION Fieldbus Information

FOUNDATION fieldbus™ is an all-digital, serial, two-way, multidrop communication protocol that interconnects devices such as transmitters and valve controllers. It is a local area network (LAN) for instruments that enables basic control and I/O to be moved to the field devices. The model F809F uses FOUNDATION fieldbus technology developed and supported by MTL and the other members of the independent Fieldbus Foundation.

5.3.1 Commissioning (Addressing)

To be able to setup, configure, and have it communicate with other devices on a segment, a device must be assigned a permanent address. Unless requested otherwise, it is assigned a temporary address when shipped from the factory.

If there are two or more devices on a segment with the same address, the first device to start up will use the assigned address (ex. Address 20). Each of the other devices will be given one of the four available temporary addresses. If a temporary address is not available, the device will be unavailable until a temporary address becomes available.

Use the host system documentation to commission a device and assign a permanent address.

5.4 Hardware Maintenance

The F809F has no moving parts and requires a minimal amount of scheduled maintenance. If a malfunction is suspected, check for an external cause before performing the diagnostics presented below.

5.4.1 Communication/Power Check

If the Fieldbus Diagnostic Module does not communicate, or provides an erratic output, check for adequate voltage to it. The F809F requires between 9.0 and 32.0V DC on the communicating fieldbus segment. This is selected as Segment 1 or 8 of the monitored segment or a separate fieldbus segment. Check for wire shorts, open circuits, and multiple grounds on the communicating fieldbus segment.

5.4.2 Resetting the Configuration (RESTART)

The Restart Processor parameter in the Resource Block offers the choice of:

- an uninitialised restart that restarts the processor with the current configuration, or
 - a default restart that restores the default configuration.
- Following a default restart the block is in OOS Mode. To return block to Auto carry out a Processor Restart.
- Restart resource, is accepted, but no function executed.
 - Run is the normal state for the block. To clear field after a Processor restart the parameter should be manually set to Run with some systems.
 - Restart processor will trigger an immediate reset of the processor. As the F809F does not acknowledge the request this may cause an error message with some systems.

5.5 Troubleshooting

5.5.1 Foundation Fieldbus

| Symptom | Possible Cause | Corrective Action |
|---|---|---|
| Device does not show up in the live list | Network configuration parameters are incorrect | Set the network parameters of the LAS (host system) according to the FF Communications Profile: ST: 8 MRD: 10 DLPDU PhLO: 4 MID: 7 TSC: 4 (1 ms) T1: 1920000 (60 s) T2: 5760000 (180 s) T3: 480000 (15 s) |
| | Network address is not in polled range. | Set first Unpolled Node and Number of UnPolled Nodes so that the device address is within range. |
| | Power to the device is below the 9 VDC minimum. | Increase the power to at least 9V. |
| | Noise on the power / communication is too high. | Verify terminators and power conditioners are within specification Verify that the shield is properly terminated and not grounded at both ends. It is best to ground the shield at the power conditioner. |
| Device that is acting as a LAS does not send out CD | LAS Scheduler was not downloaded to the Backup LAS device | Ensure that all of the devices that are intended to be a Backup LAS are marked to receive the LAS schedule |
| All devices go off live list and then return | Live list must be reconstructed by Backup LAS device | Current link setting and configured links settings are different. Set the current link setting equal to the configured settings. |

5.5.2 Resource Block

| Symptom | Possible Cause | Corrective Action |
|----------------------------|---------------------------------------|---|
| Mode will not leave OOS | Target mode not set Memory Failure | Set target mode to something other than OOS. BLOCK_ERR will show the lost NV Data or Lost Static Data bit set. Restart the device by setting RESTART to Processor. If the block error does not clear, call the factory. |
| Block Alarms Will not work | Features Notification | FEATURES_SEL does not have Alerts enabled. Enable the report bit. LIM_NOTIFY is not high enough. Set equal to MAX_NOTIFY. |

5.5.3 System and Segment Transducer Block Troubleshooting

| Symptom | Possible Cause | Corrective Action |
|-------------------------|---------------------------------------|--|
| Mode will not leave OOS | Target mode not set Resource block | Set target mode to AUTO The actual mode of the Resource block in OOS. See Resource Block Diagnostics for corrective action |

APPENDIX A: TROUBLESHOOTING TABLE

| Symptom | Possible Causes |
|--|---|
| High peak or average noise | Water/condensation in wiring, improperly connected shield, bad fieldbus device, bad physical layer component (power supply, terminator, wiring block), segment is not isolated from ground, fieldbus cable is located near noise producing cable, loose wire termination. |
| Recommendations: Inspect the network cable and connections. Tighten screw terminals and connector hold-down screws. Look for waterlogged cables, condensation in junction boxes, loose wires, FF cable routed near other signaling cables or AC power cables, loose strands of wire shorting to other wires/conductive objects. Check if fieldbus to shield short is present and if so follow recommendations below. Verify the segment is powered by an isolated fieldbus power supply or that the bulk supply for the fieldbus power supply is isolated and only powers one segment. Take noise measurements at multiple locations on the network to identify where noise is highest and most likely located. Measure resistance from shield to ground with a DMM and verify it is <100Ω. Disconnect devices one at a time to see if noise disappears. Replace terminators, fieldbus power supplies, and wiring blocks. | |
| Symptom | Possible Causes |
| Excessive retransmissions rate (on one device) | Bad spur wiring connection to device, not enough power to the device, bad device, bad port on the wiring block, noise on the spur. |
| Recommendations: Check if high noise levels are present and if so follow recommendations above. If the wiring block has a current limiting (SpurGuard) feature, check the associated LED to make sure it isn't constantly or intermittently lit. Inspect the wiring and connections from the wiring block to the device looking for waterlogged cables, condensation in junction boxes, loose wires, FF cable routed near other signaling cables or AC power cables, loose strands of wire shorting to other wires/conductive objects. Try putting the device on a different spur from the wiring block. Replace the device. | |
| Symptom | Possible Causes |
| Excessive retransmissions rate (on all or multiple devices) | Wiring problem, not enough power to the devices, bad physical layer device (power supply, terminator, wiring block), noise on the bus |
| Recommendations: Determine if the entire network is affected or just part of it. Focus on the part of the network with problems. Check if high noise levels are present and if so follow recommendations above. Use the FBT-3/6 to check for high noise levels at the device and check the bus voltage is >9VDC at the device furthest from the power supply. Inspect the network looking for waterlogged cables, condensation in junction boxes, loose wires, FF cable routed near other signaling cables or AC power cables, loose strands of wire shorting to other wires/conductive objects. Replace the terminators, power supply/conditioner. | |
| Symptom | Possible Causes |
| Low device signal level (one device) | Bad spur wiring connection to device, not enough power to the device, bad device, bad port on the wiring block |
| Recommendations: Use FBT-3/6 to check the voltage at the device is >9VDC. If the wiring block has a current limiting (SpurGuard) feature, check the associated LED to make sure it isn't constantly or intermittently triggered. Inspect the wiring and connections from the wiring block to the device looking for waterlogged cable, condensation, loose wires, loose strands of wire shorting to other wires/conductive objects. Verify the maximum length of cable between any 2 devices does not exceed 1900m and spur length does not exceed 120m. Try connecting the device on a different spur from the wiring block. Replace the device. | |
| Symptom | Possible Causes |
| Low device signal level (all devices) | Wiring problem, not enough power to the devices, bad physical layer device (power supply, terminator, wiring block) |
| Recommendations: Use FBT-3/6 to check the voltage at the device furthest from it is >9VDC. Check the power LEDs on the wiring blocks are steadily lit. Inspect the wiring and connections (especially at the parts common to all devices such as power supply/conditioner, terminators, trunk cable, etc.) looking for waterlogged cable, condensation, loose wires, loose strands of wire shorting to other wires/conductive objects. Replace suspect physical layer components (power supply/conditioner, terminators, wiring blocks). | |
| Symptom | Possible Causes |
| High device signal level (one device) | Bad device |
| Recommendations: Replace the device. | |
| Symptom | Possible Causes |
| High device signal level (all devices) | Missing terminator, failed terminator, improperly connected terminator, failed fieldbus power supply |
| Recommendations: Verify two terminators are installed (note that some terminators are built-in to power supplies/conditioners and wiring blocks, some are turned on/off with a switch and some are automatic). Check wiring to the terminators. Replace suspect terminators or the products that contain them. Replace the fieldbus power supply. | |

Symptom**Possible Causes****Shield short to fieldbus**

Wiring problem, un-isolated device connected to the fieldbus, water in a cable/device/wiring block

Recommendations: Check for damaged cable, make sure all devices are properly connected. Verify that fieldbus is not connected to a ground at the power supply or to a device case. Look for shield connections to the fieldbus cable including stray strands of wire at wire terminations or un-insulated shield wire loose at the device. Disconnect portions of cable and check if the short goes away. Verify the fieldbus power supply is isolated from ground.

Symptom**Possible Causes****Device is not "seen" on the bus/not communicating**

Bad spur wiring connection to device, not enough power to the device, bad device, bad port on the wiring block

Recommendations: Check DC voltage at the device is >9VDC. If the wiring block the device is connected to has a current limiting (SpurGuard) feature, check the associated LED to make sure it isn't constantly or intermittently triggered. Inspect the wiring and connections from the wiring block to the device looking for waterlogged cable, condensation, loose wires, loose strands of wire shorting to other wires/conductive objects. Try putting the device on a different spur from the wiring block. Replace the device.

MTL Instruments Pty Limited

1/30 Canvale Road
Canning Vale
Perth, WA 6155
Australia
Tel: +61 (0)8 9455 2994 Fax: +61 (0)8 9455 2805
E-mail: enquiries@mtlaus.com.au

MTL Canada Safety Instrumentation

#102, 4249 97 Street
Edmonton, Alberta
Canada T6E 5Y7
Tel: +1 780 485 3132 Fax: +1 780 485 3122
E-mail: cinfo@mtlnh.com

MTL Instruments China Co. Ltd.

Room 1002A, The Gateway
No 10 Yabao Road, Chaoyang District
Beijing 100020
China
Tel: +86 010 8562 5718/5720/5721 Fax: +86 010 8562 5725
E-mail: bjsales@mtl-inst.cn

MTL Instruments sarl

Les Carrés du Parc
10 rue des Rosiéristes
69410 Champagne au Mont d'Or
France
Tel: +33 (0)4 78 64 98 32 Fax: +33 (0)4 78 35 79 41
E-mail: info@mtl-inst.fr

MTL Instruments GmbH

An der Gumpgesbrücke 17
D-41564 Kaarst
Germany
Tel: +49 (0)2131 718930 Fax: +49 (0)2131 7189333
E-mail: info@mtl.de

MTL India

No. 36, Nehru Street
Off Old Mahabalipuram Road
Sholinganallur
Chennai - 600 119
India
Tel: + 91 (0)44 24501660/24501857 Fax: + 91 (0)44 24501463
E-mail: sales@mtlindia.com

MTL Italia srl

Via Cantù 11
I - 20092 Cinisello Balsamo MI
Italy
Tel: +39 (0)2 61802011 Fax: +39 (0)2 61294560
E-mail: info@mtl-inst.it

MTL Instruments KK

3rd Floor, Gotanda Masujima Building
1-8-13 Higashi-Gotanda, Shinagawa-Ku
Tokyo 141-0022
Japan
Tel: +81 (0)3 5420 1281 Fax: +81 (0)3 5420 2405
E-mail: sales@mtlkk.co.jp

MTL Instruments BV

PO Box 55, 6680 AB Bommel
de Houtakker 36, 6681 CW Bommel
The Netherlands
Tel: +31 (0)481 450250 Fax: +31 (0)481 450260
E-mail: info@mtlbenelux.com

MTL Instruments Pte Limited

31 Ubi Road 1
#04-01 Aztech Building
Singapore 408694
Tel: +65 6 487 7887 Fax: +65 6 487 7997
E-mail: sales@mtlsing.com.sg

MTL Instruments

Villa No. 4, Sector 2-17, Street 6
PO Box 53234,
Abu Dhabi, UAE
Tel: +971 2 446 6840 Fax: +971 2 446 6841
E-mail: mtlgulf@mtl-inst.com

Measurement Technology Limited

Power Court, Luton, Bedfordshire
England LU1 3JJ
Tel: +44 (0)1582 723633 Fax: +44 (0)1582 422283
E-mail: enquiry@mtl-inst.com

MTL Incorporated

4001 W. Sam Houston Parkway N., Suite 150
Houston TX 77043
USA
Tel: +1 281 571 8065 Fax: +1 281 571 8069
E-mail: info@mtl-inst.com

