



4-channel Digital Output

Solenoid driver

815-DO-04

- ◆ output for intrinsically safe valves or alarms
- ◆ integrated driving power
- ◆ short and break detection
- ◆ isolation - output to bus and output to power
- ◆ electrical isolation channel to channel
- ◆ 4-channel, EEx ia IIC

MODULE SPECIFICATION

See also System Specification

OUTPUT

Supply voltage and current	21 V / 8 mA
	18 V / 20 mA
	15 V / 30 mA
	12 V / 40 mA
No-load voltage	24 V DC (16 V DC min)
Internal resistance	300 ohm
Switching frequency	< 100 Hz
Short-circuit detection	< 5 V
Line-break detection	< 1 mA

EXPLOSION PROTECTION

Certificate number	PTB 01 ATEX 2136
Safety description (terminals 11,12,21,22,31,32,41,42)	
Max. short-circuit current	$I_o = 100$ mA
Voltage	$U_o = 27$ V
Performance	$P_o = 675$ mW
External inductance	$L_o = 0.99$ mH See Note 1
External capacitance	$C_o = 30$ nF See Note 1
Safety description (terminals 13,14,23,24,33,34,43,44)	
Max. short-circuit current	$I_o = 100$ mA
Voltage	$U_o = 18.9$ V
Performance	$P_o = 675$ mW
External inductance	$L_o = 1$ mH See Note 1
External capacitance	$C_o = 86$ nF See Note 1

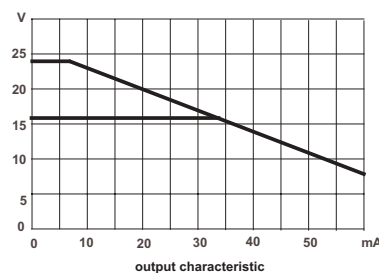
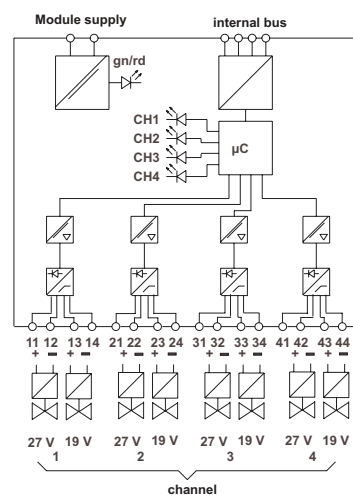
Note1: For a list of permissible alternatives see PTB ATEX Certification.

DIAGNOSTIC INFORMATION

System / Module power on	LED green / red
Output on	LED 1 to 4, yellow
Line break or short circuit	LED 1 to 4, red
Via fieldbus	
Break, short	per channel
Simulation	per channel
Communication, hardware	for each I/O module

CHARACTERISTICS AT RATED CONDITIONS

Total power consumption	< 2.5 W (for valves < 275 mW)
	< 5.2 W (for valves < 500 mW)



- Output for valves from e.g.:
- Asco-Joucomatic
 - Bürkert
 - Eugen Seitz e.g. PV12F73
 - Norgren-Herion
 - Parker-Lucifer
 - Samsomatic

