

# MTL5000 SERIES ACCESSORIES

MTL5000 Series isolators mount quickly and easily onto standard DIN rail. A comprehensive range of accessories simplifies earthing and tagging arrangements.

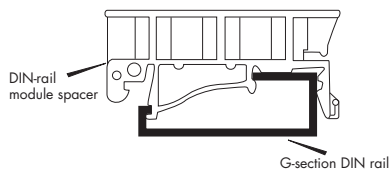
## MOUNTING

### THR2 DIN rail, 1m length

DIN rail to EN50022; BS5584; DIN46277

### MS010 DIN rail module spacer, 10mm, pack of 5

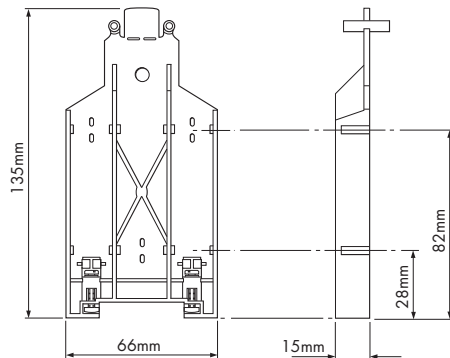
Grey spacer, one required between each MTL5995 and any adjacent module on a DIN rail, to provide 10mm air-circulation space between modules



## EARTH RAIL AND TAG STRIP

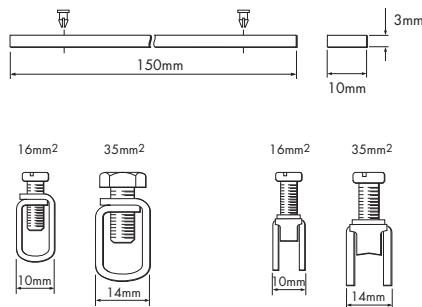
### IMB57 Insulating mounting block

One required at each end of a tagging strip/earth rail. Suitable for low-profile (7.5mm) and high-profile (15mm) symmetrical



### ERB57S Earth-rail bracket, straight

Nickel-plated; supplied with two push fasteners, one (14mm, 35mm<sup>2</sup>) earth-rail clamp and one (10mm, 16mm<sup>2</sup>) earth clamp.

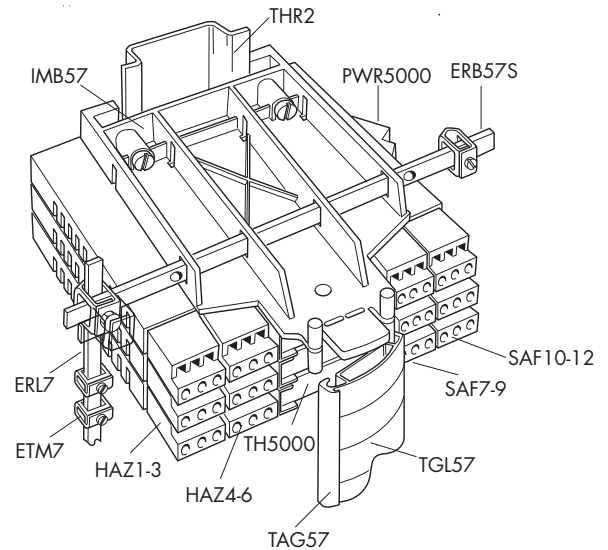


### ERL7 Earth rail, 1m length

Nickel-plated; may be cut to length.

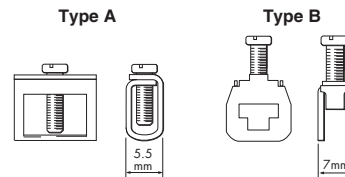


## MOUNTING DETAILS



### ETM7 Earth terminal, bag of 50

For terminating cable screens and 0V returns on the ERL7 earth rail. For cables ≤ 4mm<sup>2</sup>. Exact dimension dependent on manufacturer.



### TAG57 Tagging strip, 1m length

Cut to size. Supplied with reversible tagging strip label suitable for either MTL5000 or MTL7000 Series module spacing.



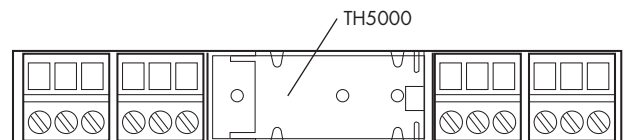
### TGL57 Tagging strip labels, set of 10 x 0.5m

Spares replacement, for use with TAG57 tagging strip. Labels are reversible - one side for MTL5000, the other for MTL7000.

## INDIVIDUAL ISOLATOR IDENTIFICATION

### TH5000 tag holders

Each isolator may be fitted with a tag holder, as shown below. Order TH5000, pack of 20.



## CONNECTORS

Each MTL5000 unit is supplied with signal and power connectors, as applicable.

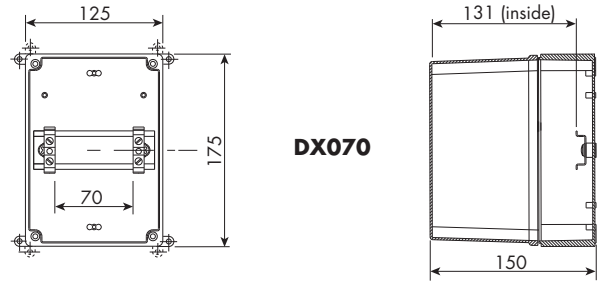
Spares replacement connectors are available separately; see ordering information.

**See also  
'MTL5000 Series powerbus kits'**

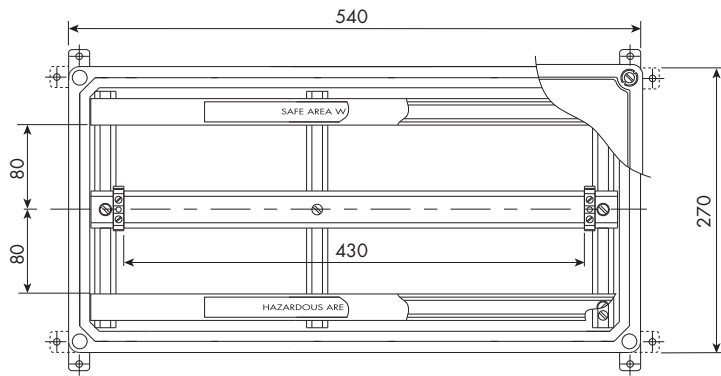


# MTL5000 SERIES ENCLOSURES

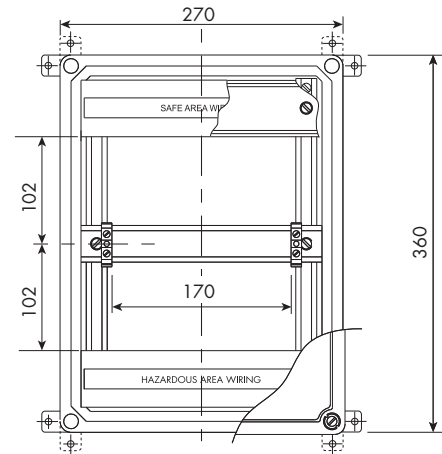
## DIMENSIONS (mm) AND MOUNTING



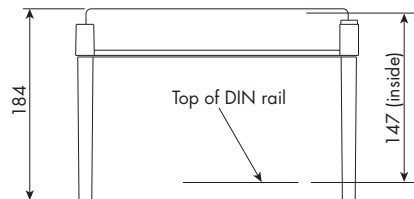
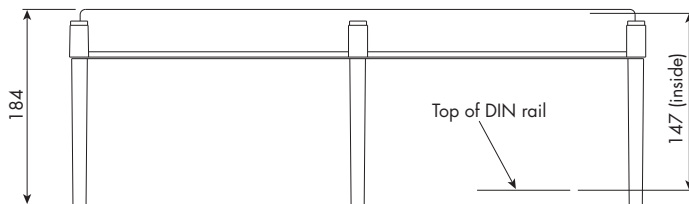
**DX070**



**DX430**



**DX170**



## SPECIFICATION

### Construction

- Glass reinforced polycarbonate base - DX070
- Glass reinforced polyester base - DX170, DX430
- Transparent polycarbonate lid

### Protection

- Dust-tight and water-jet proof to IEC529:IP65

### Lid fixing

- Captive fixing screws

### Weight (excluding barriers/isolators) kg

- DX070 0.8
- DX170 2.6
- DX430 4.1

### Items provided

- DIN rail - fitted
- ETL7000 Earth terminals (2 x) - fitted
- "Take care IS" front adhesive label
- Cable trunking (except DX070)

**Note: Barriers or isolators are not included.**

### Mounting

- Wall fixing lugs provided. For further details refer to INM5000.

### Tagging and earth rail

- Accommodates MTL5000 Series accessories.

### Permitted location

- Safe (non-hazardous) area

**Note:** N. America/Canada - Enclosures are rated NEMA 4X so can be used in Class 1, Division 2 (gases) location, but check with local requirements and ensure all cable entries also conform. Additional warning label will be required on or near the enclosure, see installation details. Not suitable for Class II or III, Division 2 hazardous locations.

### Approximate capacities (on DIN rail between earth terminals)

	Number of `MTL5000 isolators	
<b>DX070</b>	4	(2)*
<b>DX170</b>	10	(8)*
<b>DX430</b>	26	(24)*

\* Use these figures when IMB57 mounting blocks for tagging/earth are included.

### Ambient temperature limits

Dependent on units fitted. See instruction manual INM5000.

