

MTL2211 SWITCH OPERATED RELAY

2-channel

The MTL2211 enables two 500VA safe-area loads to be controlled independently through two relays by two light-duty on/off switches in a hazardous area. The two input circuits are independently fully floating and are unaffected by each other. Each relay is provided with two sets of changeover contacts, which are connected in parallel within the unit for maximum reliability. Applications include the operation of medium-powered electrical equipment such as alarms, lights, and small electrical motors, or contactors for controlling higher-powered equipment.

SPECIFICATION

See also 'Common specification'

Number of channels

Two, independently fully floating

Location of switches

Zone 0, IIC, T6 hazardous area

Div 1, Group A, hazardous area

Voltage applied to each switch

2.5V dc from 680Ω

Input/output characteristics (each channel)

Relay energised if $<200\Omega$ in switch circuit

Relay de-energised if $>500\Omega$ in switch circuit

Hysteresis, nominal 100Ω

Power supply failure protection

Both relays de-energised if supply fails

Broken line protection (each channel)

Relay de-energised if either line broken

Fail-safe earth fault protection (each channel)

(Enabled by connecting terminal 3 or 7 to earth)

Relay de-energised if $<1k\Omega$ to earth, total for both lines

Relay not de-energised if $>7.5k\Omega$ to earth, total for both lines

'No-fail' earth fault protection (each channel)

(Enabled by connecting terminal 3 or 7 to MTL4220)

Fault on either line proclaimed: unit continues working

Response time (each channel)

50ms, nominal

Contacts (each channel)

1-pole changeover, duplicated within unit

Contact rating

250V:5A:500VA (ac), resistive loads, reactive loads must be suppressed

250V:5A:250W (dc), resistive loads, reactive loads must be suppressed

Contact life expectancy

3×10^5 operations at maximum load

LED indicator (each channel)

ON when associated relay energised (safe condition)

Consumption

1.7 to 2.5W (ac versions)

110mA (24V dc version)

Ambient temperature limits

-20 to +50°C (ac versions, close packed)

-20 to +45°C (24V dc versions at 26V, close packed)

-20 to +60°C (all versions, at least 5mm apart)

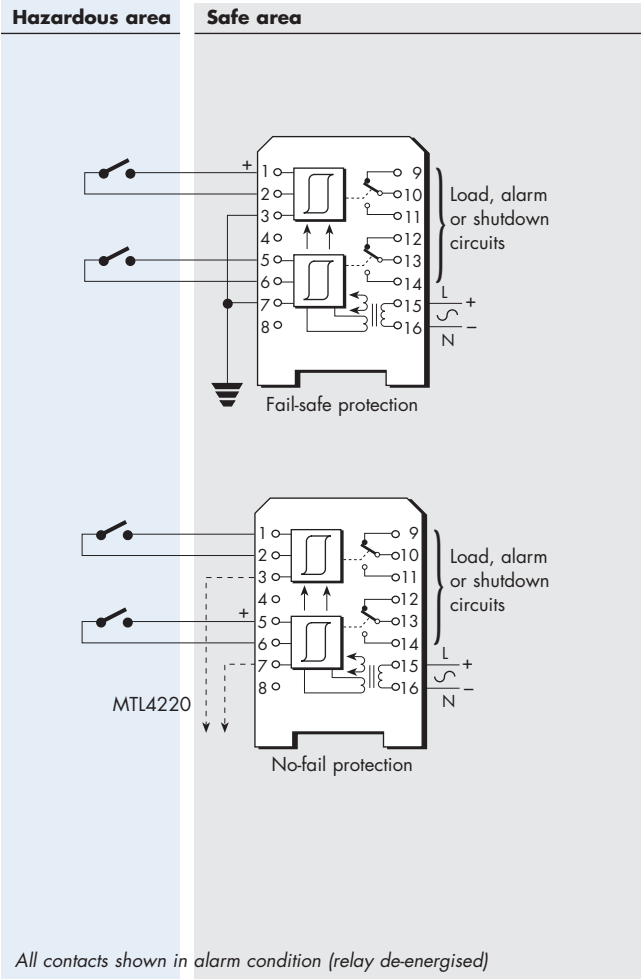
-40 to +80°C (all versions, storage)

Safety description (each channel)

7V, 300Ω, 22mA

FM max entity parameters (each channel)

$V_{oc} = 8.3V$, $I_{sc} = 21.7mA$, $C_a = 5.5\mu F$, $L_a = 75mH$



EUROPE (EMEA)
AMERICAS
ASIA PACIFIC
E-mail: enquiry@mtl-inst.com

Tel: +44 (0)1582 723633
Tel: +1 603 926 0090
Tel: +65 487 7887

Web site: www.mtl-inst.com

Fax: +44 (0)1582 422283
Fax: +1 603 926 1899
Fax: +65 487 7997